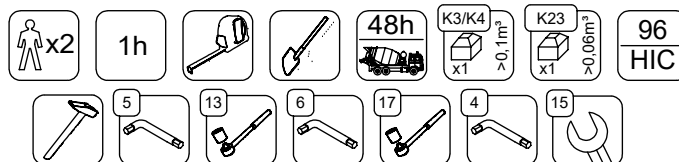
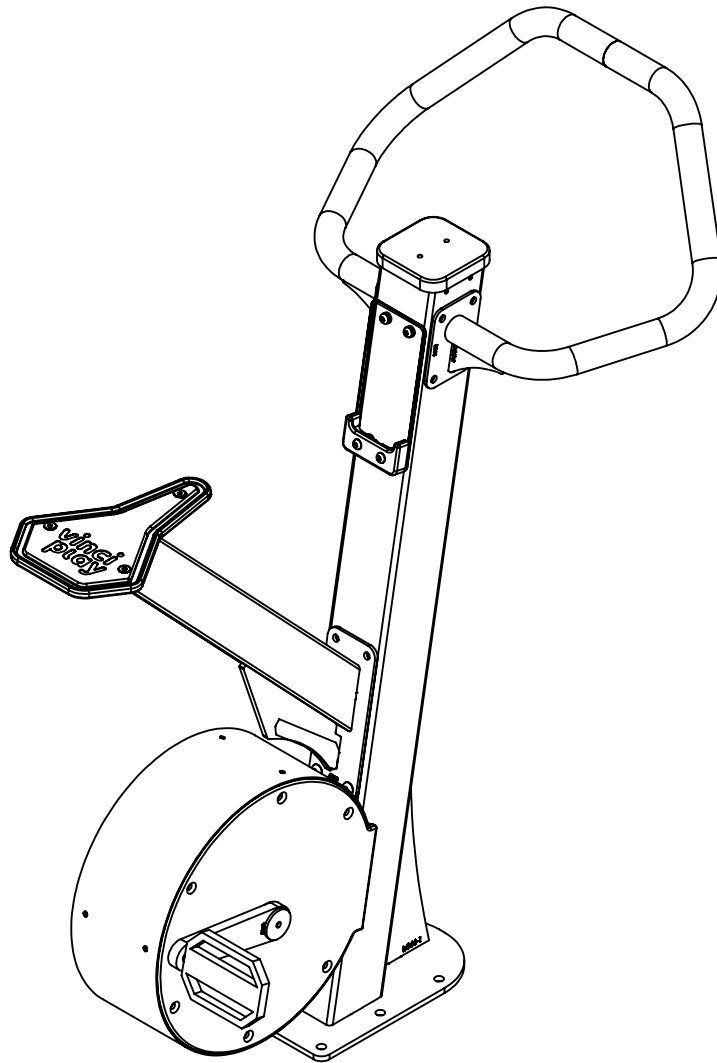
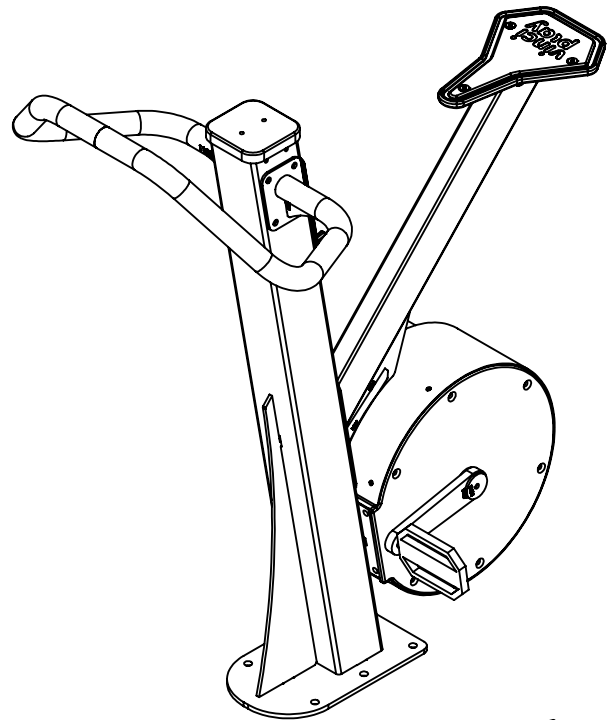
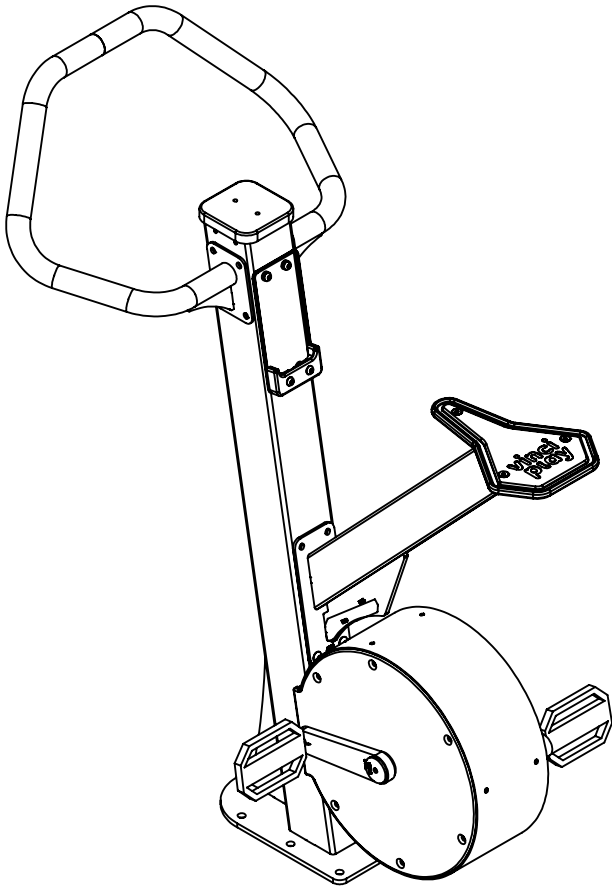
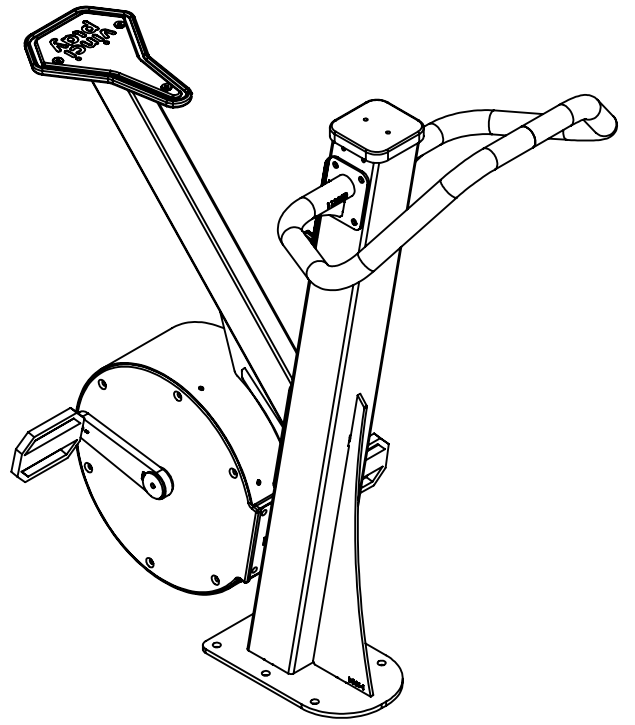
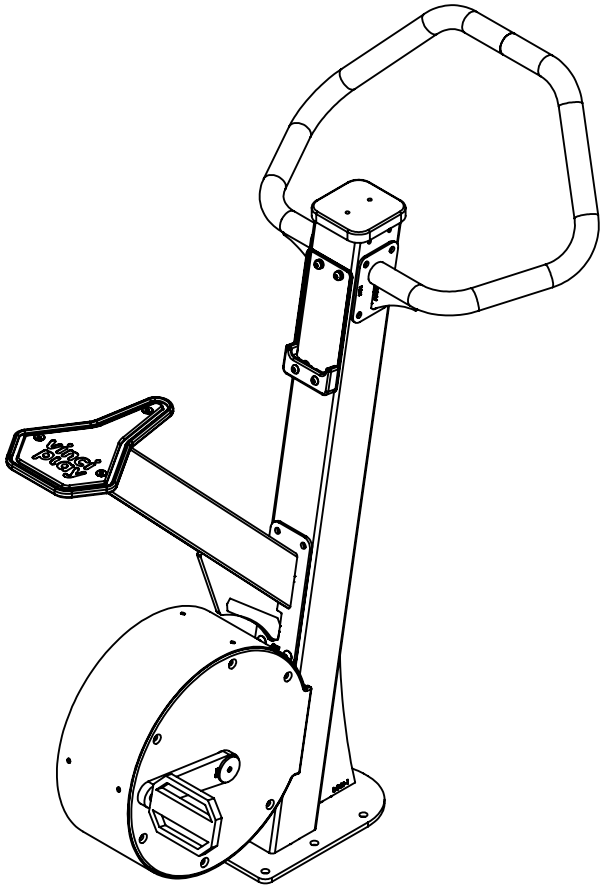


# 1118



v011  
03.07.2024  
B. B.  
[cm]

vinci  
play



[cm]

vinci  
play

129

96

K23

K4

0.00

91

124

K3

0.00

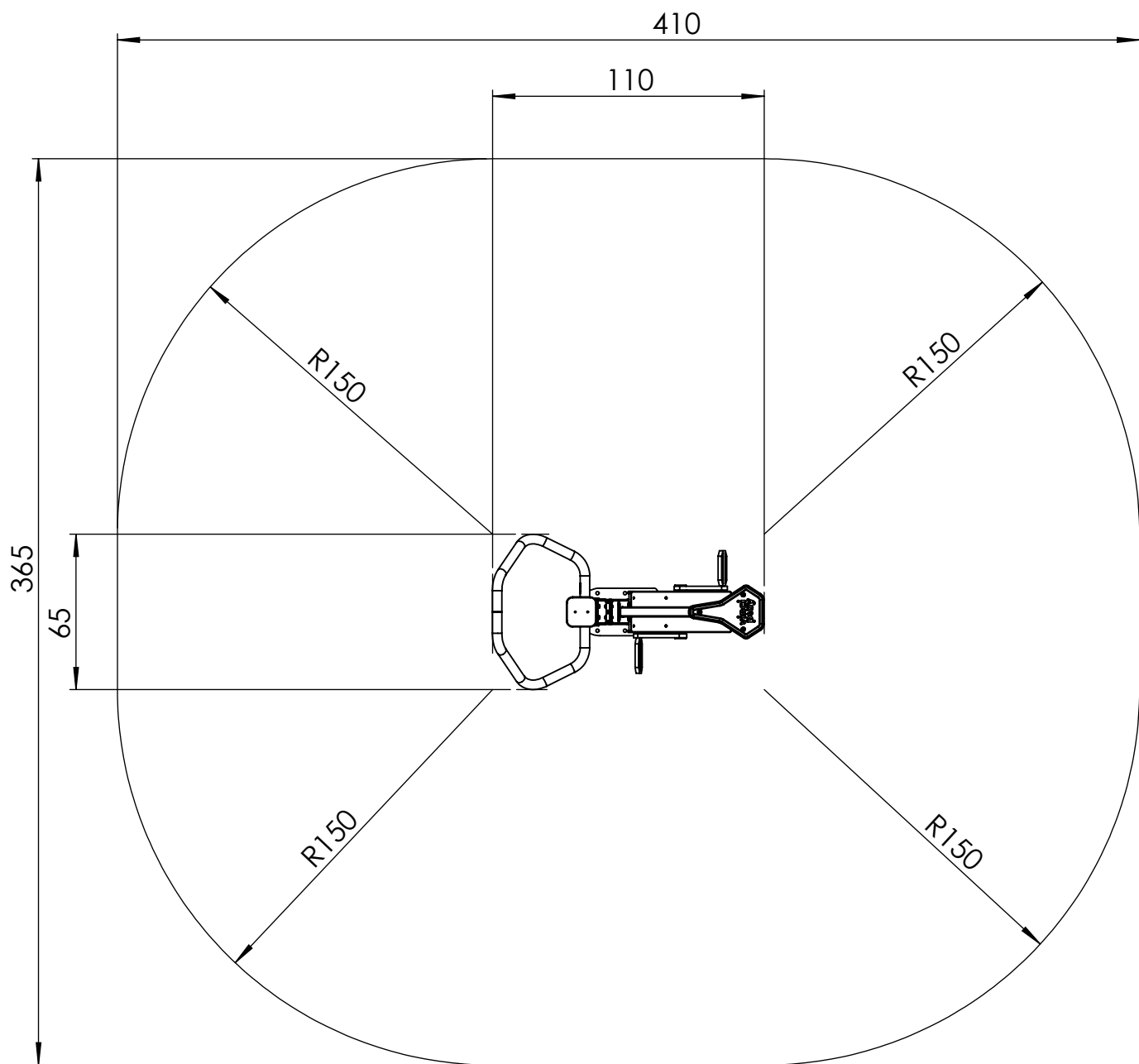
65

5

[cm]

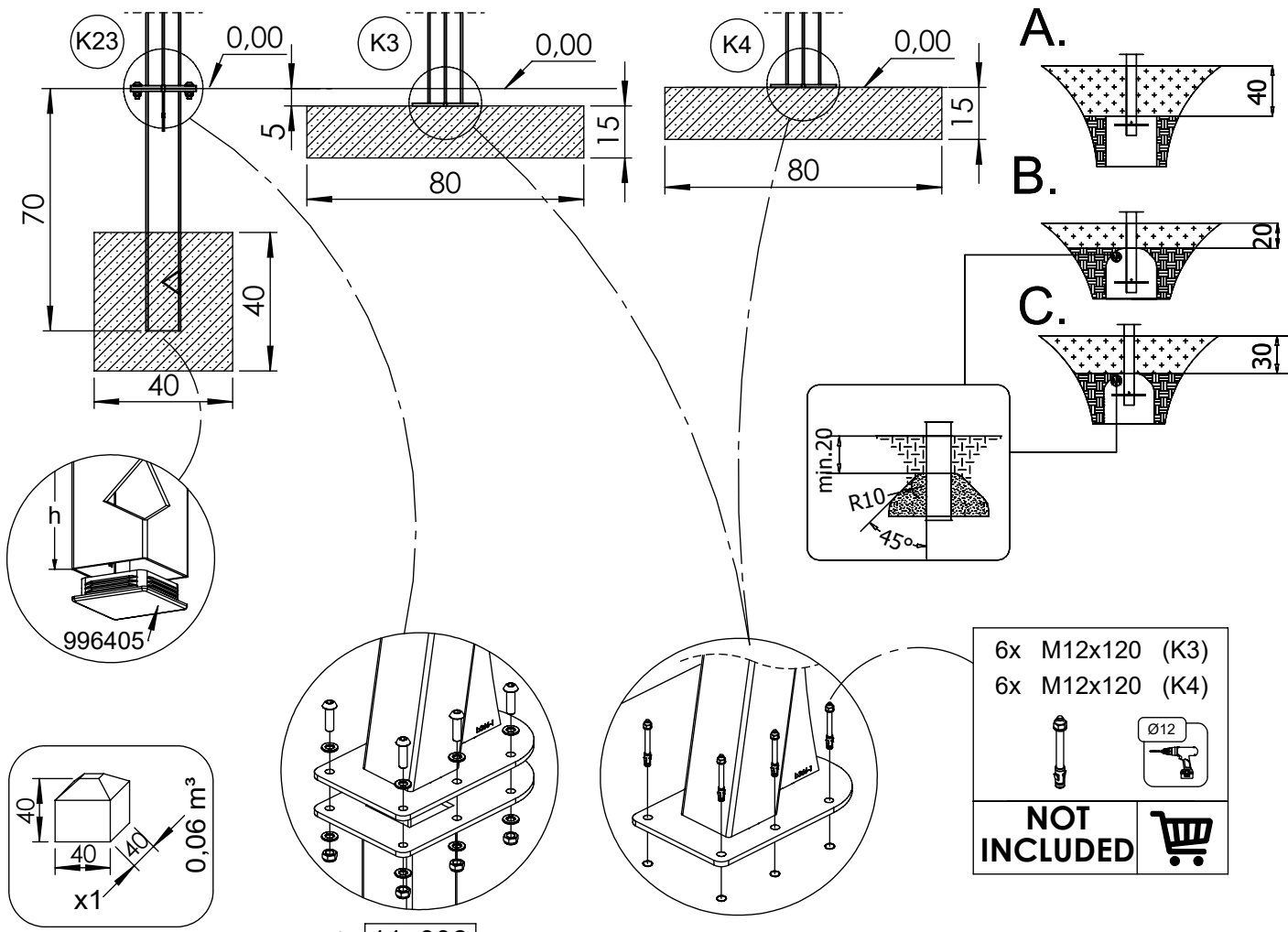


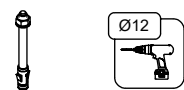

vinci  
play



[cm]

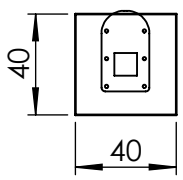
vinci  
play



- 6x M12x120 (K3)
  - 6x M12x120 (K4)
- 
- NOT INCLUDED** 

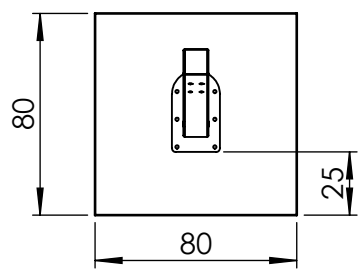
1x **11e006**  
K23

K23



K3

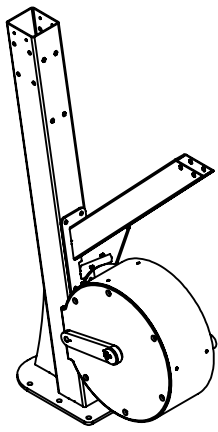
K4



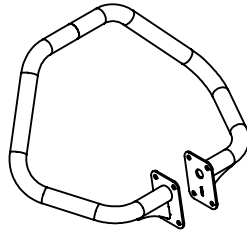
[cm]

 x2   
  1h   
    
  48h   
  K3/K4 x1 >0,1m³   
  K23 x1 >0,06m³

vinci  
play



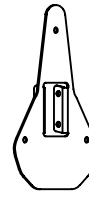
114150  
x1



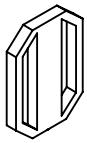
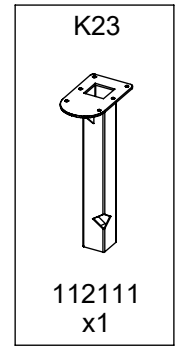
112317  
x1



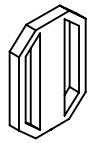
111145  
x1



b935  
x1

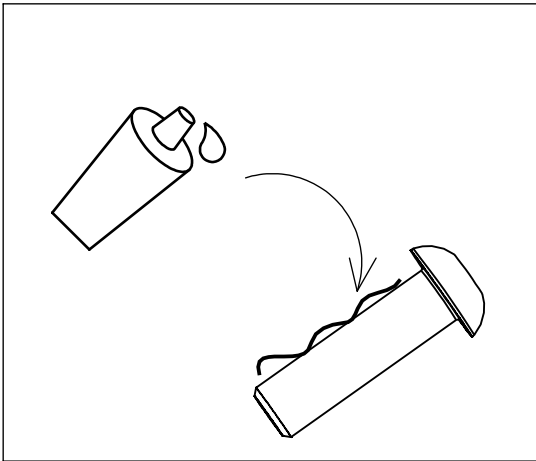
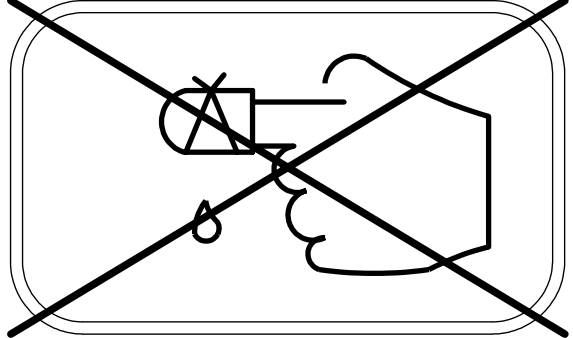
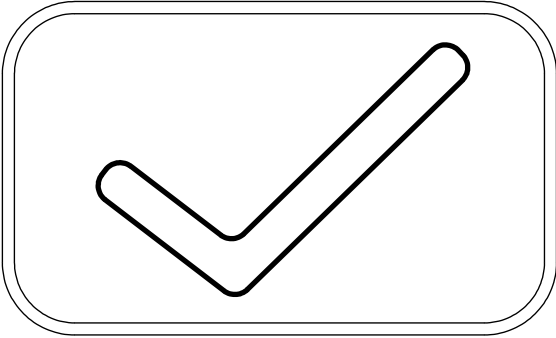
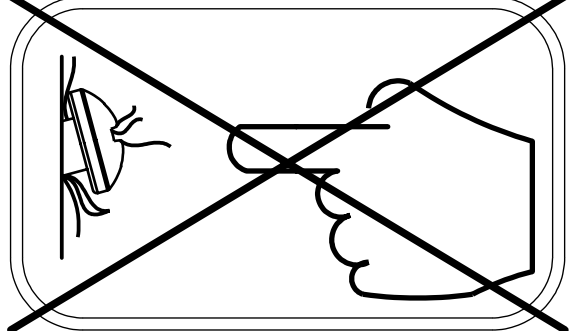
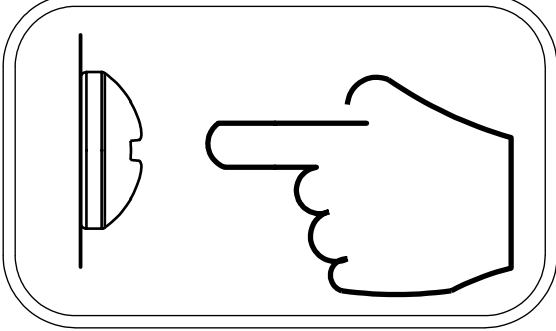
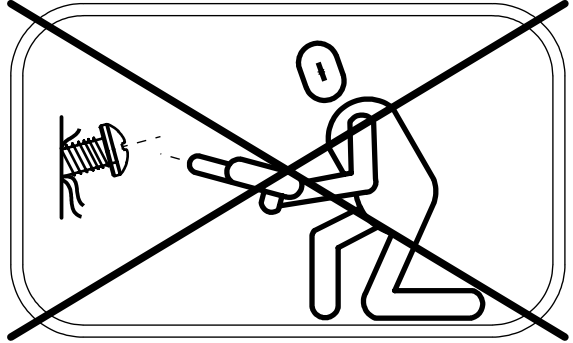
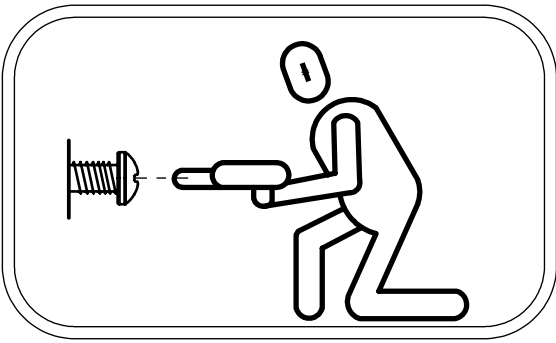


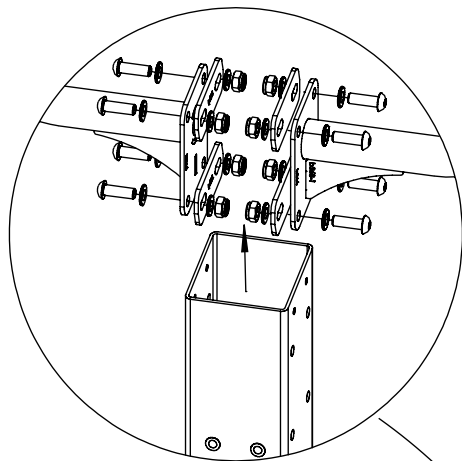
116269(R)  
x1



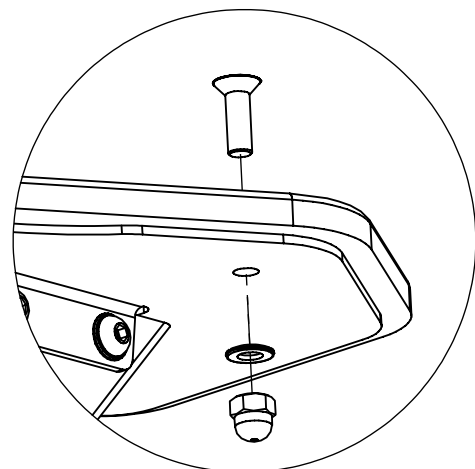
116268(L)  
x1

1x	11e006 (K23)
1x	996405 (K23)
2x	11e004
1x	23e001
1x	116118
1x	11e002
1x	11e029
1x	E121

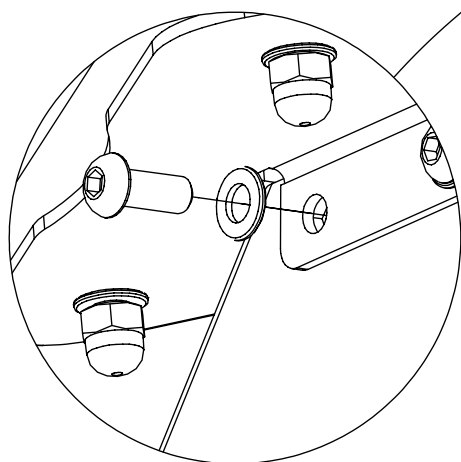
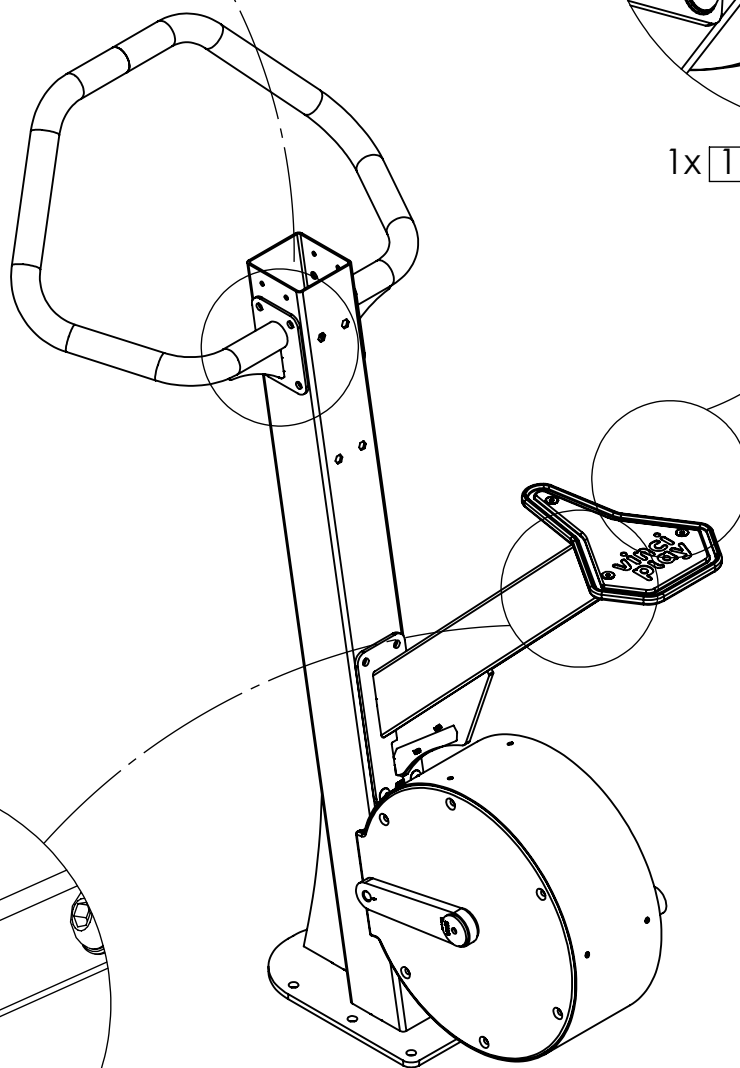




2x T1e004



1x T1e029

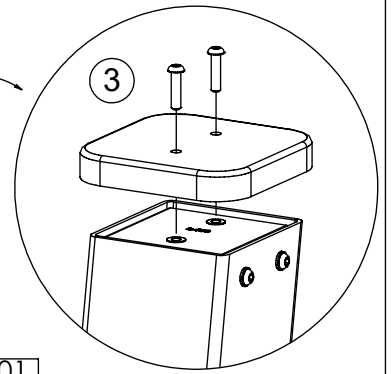
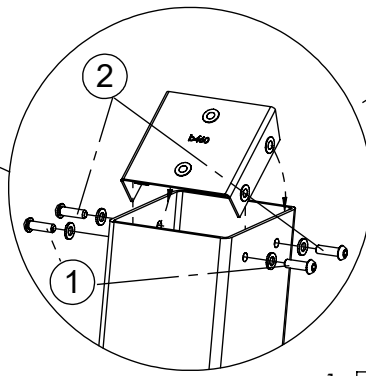
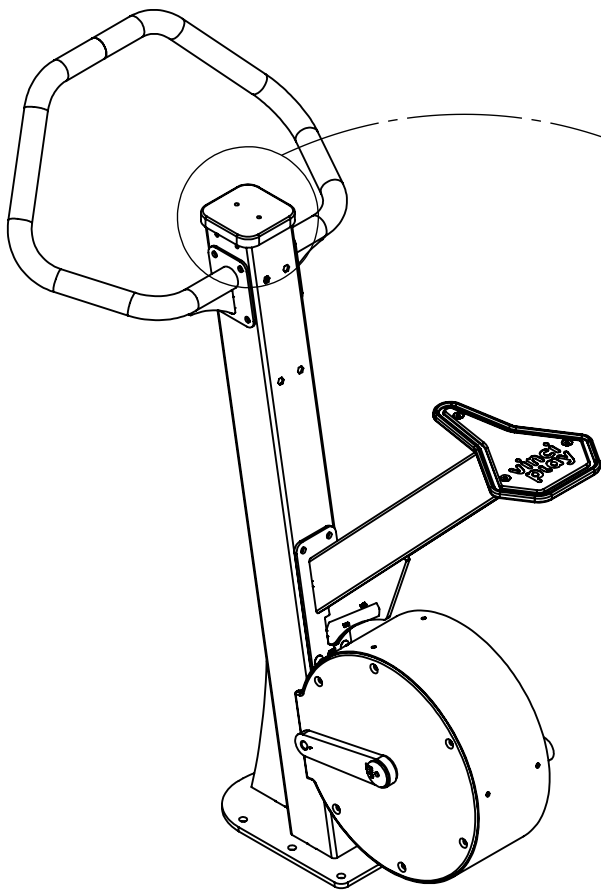


1x ET2T

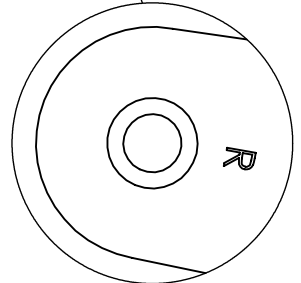
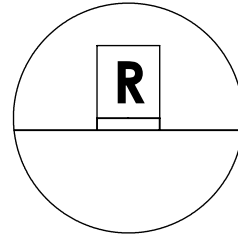
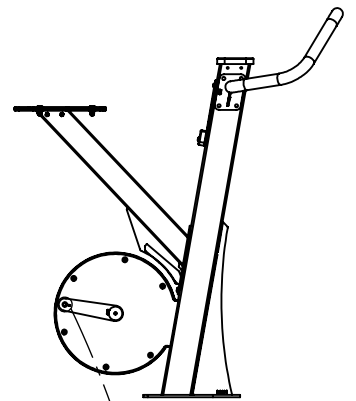
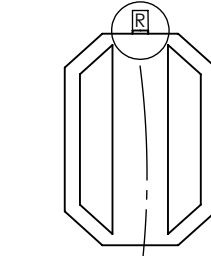
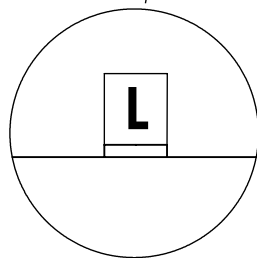
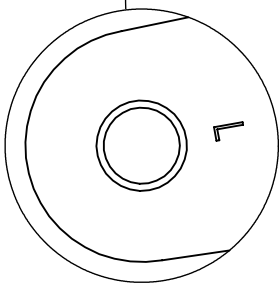
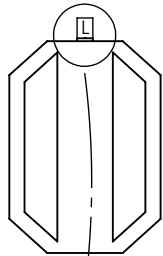
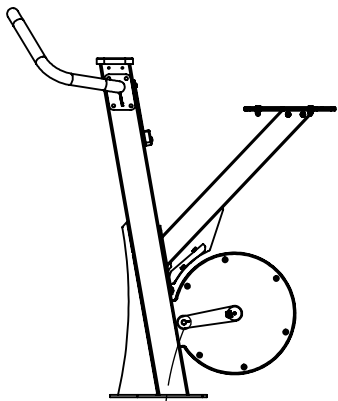
[cm]

vinci  
play





1x [23e001]



L + L



L + R



R + R



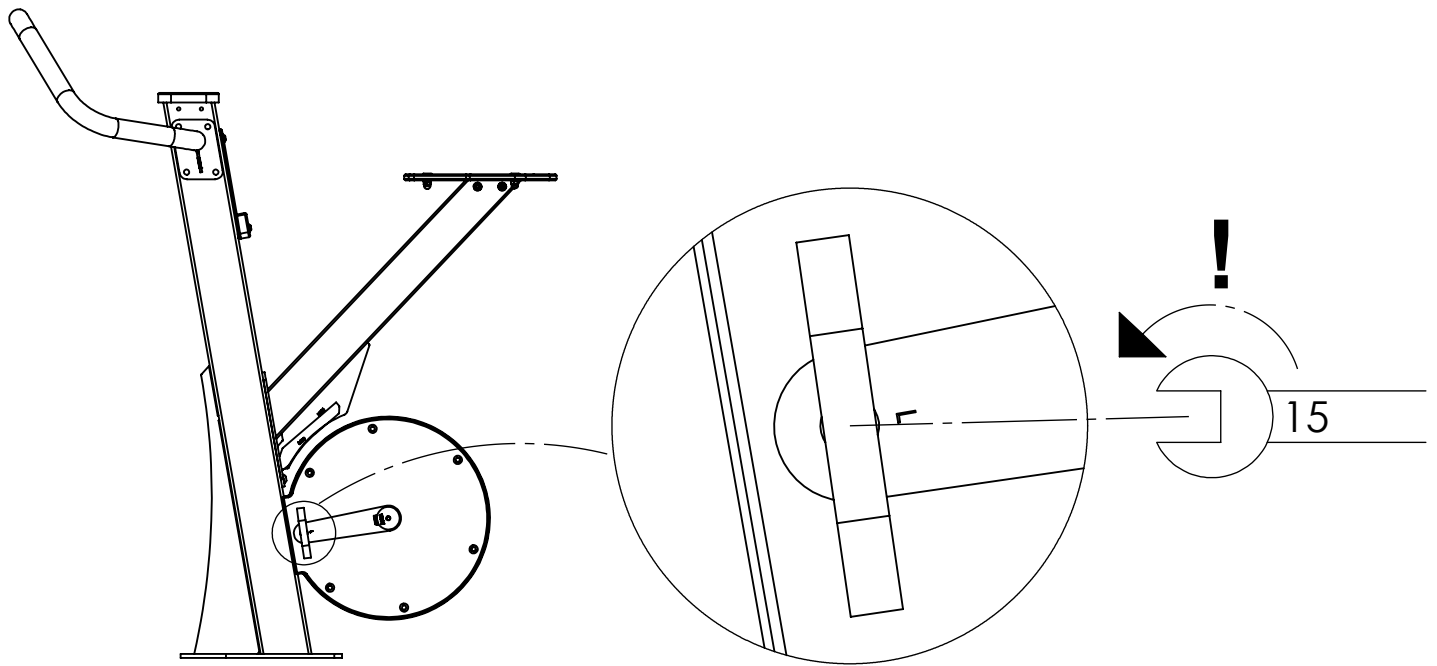
L + R



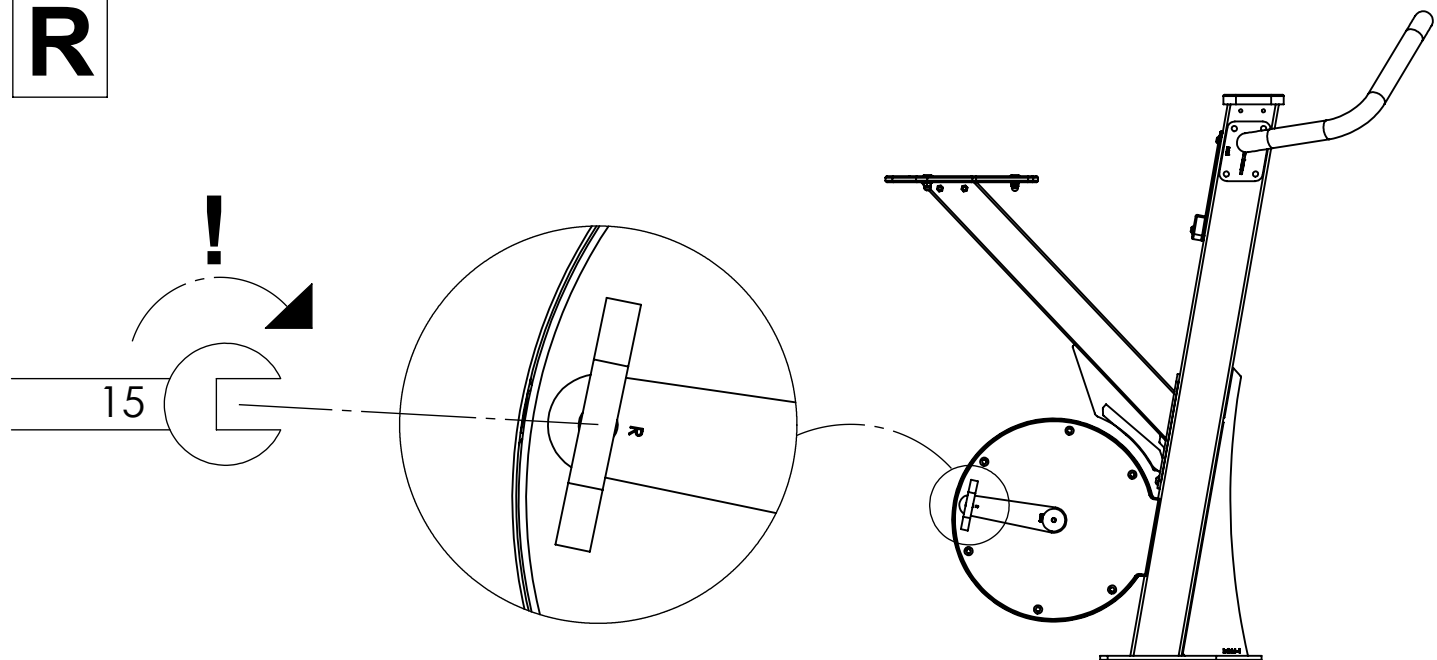
vinci play

[cm]

**L**

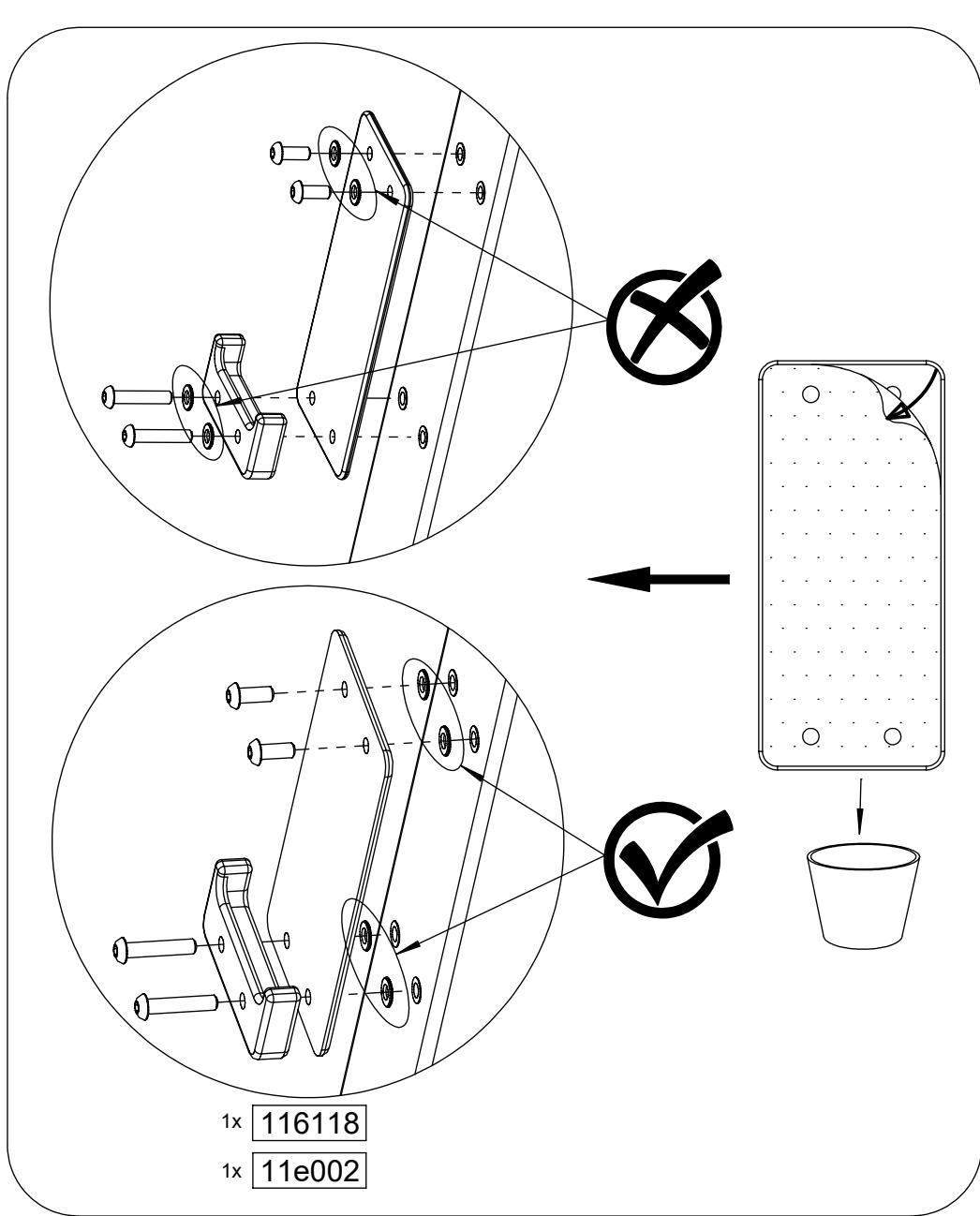


**R**



[cm]

vinci  
play



**Part No:**  
**000000-**  
**00000**

000000-00000

