

Horizontal Ladder 4202EPZ

DESCRIPTION

The structure of the device is made of glued laminated timber with steel elements. Wooden elements, oiled or covered with colorful glaze. The boards are made of HDPE resistant to weather conditions. Steel elements protected against corrosion by galvanizing and powder coating. All connectors and fittings are resistant to weather conditions and UV radiation. The device is installed below ground level according to the installation instructions.

INFORMATION

Number of users	3
Age range	3 - 14
Device dimensions [m]	3.08 x 1.04 x 1.96
Compliance with the norm	EN-1176-1:2017-12
Spare parts	Available

SAFETY SURFACE

Zone	Max height of fall [m]	Area [m ²]	Perimeter of safety zone [m]
A		27.5	19.5
B	1.85		
C			



Entering



Hanging



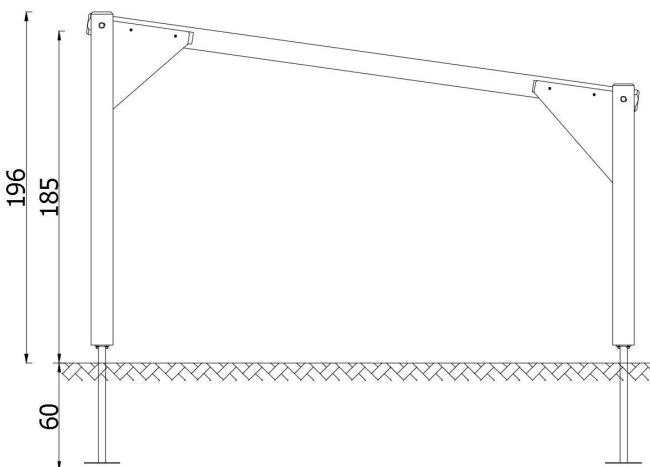
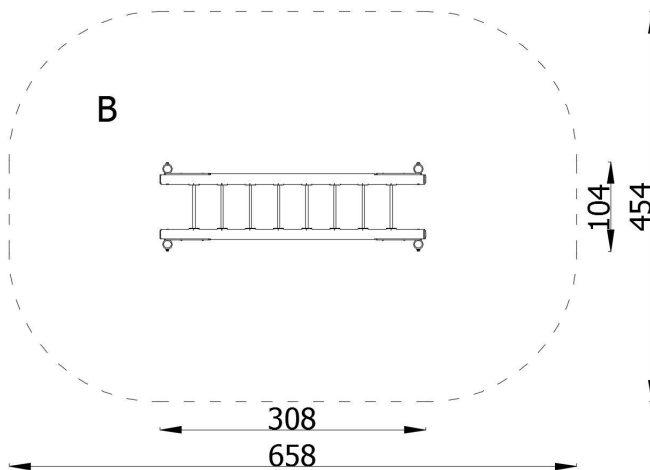
Interaction



Fun



Physical activity



DESCRIPTION

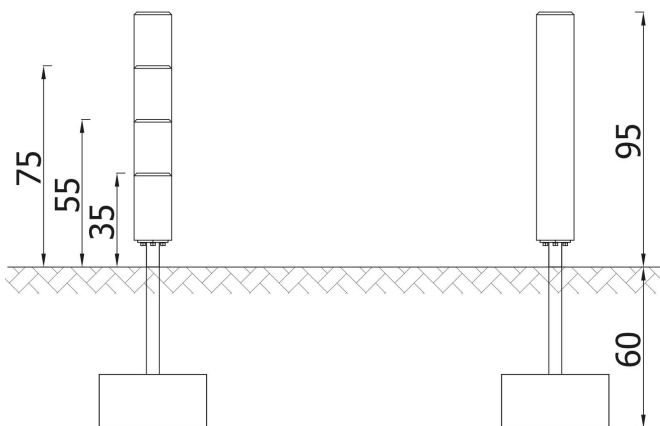
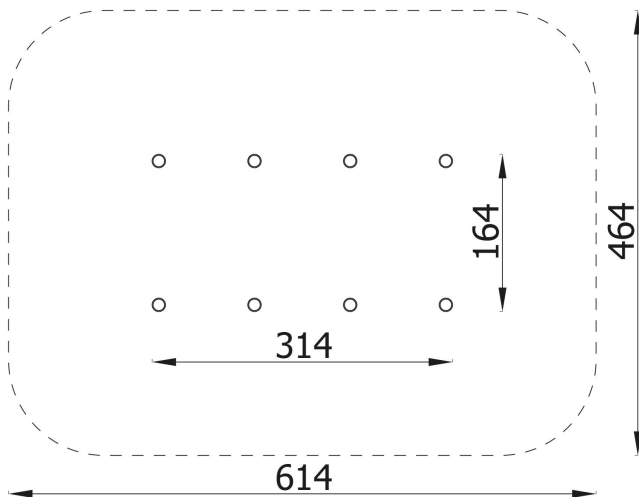
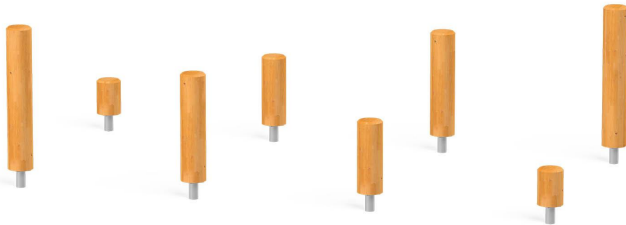
The structure of the device is made of glued laminated timber with steel elements. Wooden elements, oiled or covered with colorful glaze. Steel elements protected against corrosion by galvanizing and powder coating. All connectors and fittings are resistant to weather conditions and UV radiation. The device is installed below ground level according to the installation instructions.

INFORMATION

Number of users	6
Age range	3 - 14
Device dimensions [m]	3.14 x 1.64 x 0.95
Compliance with the norm	EN-1176-1:2017-12
Spare parts	Available

SAFETY SURFACE

Zone	Max height of fall [m]	Area [m ²]	Perimeter of safety zone [m]
A	0.95	28	20
B			
C			



DESCRIPTION

The structure of the device is made of glued laminated timber with steel elements. Vacuum and pressure impregnated wooden elements. All connectors and fittings are resistant to weather conditions and UV radiation. The device is installed below ground level according to the installation instructions.

INFORMATION

Number of users	6
Age range	3 - 14
Device dimensions [m]	5.72 x 3 x 0.63
Compliance with the norm	EN-1176-1:2017-12
Spare parts	Available

SAFETY SURFACE

Zone	Max height of fall [m]	Area [m ²]	Perimeter of safety zone [m]
A	0.63	34.6	25.6
B			
C			



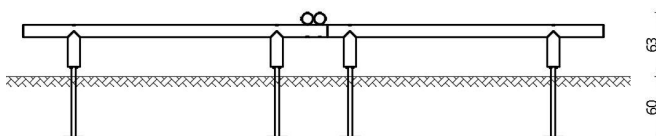
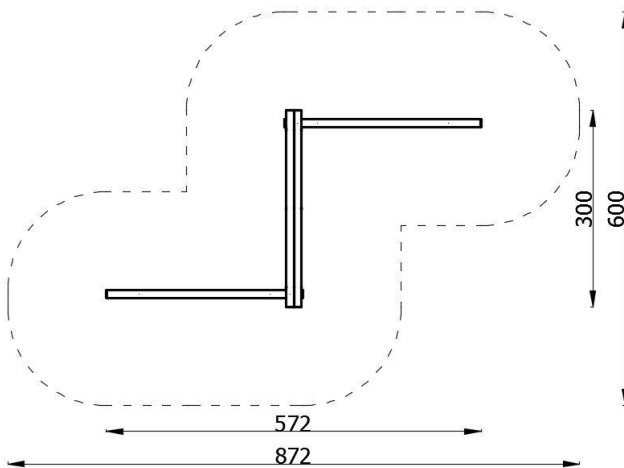
Integration



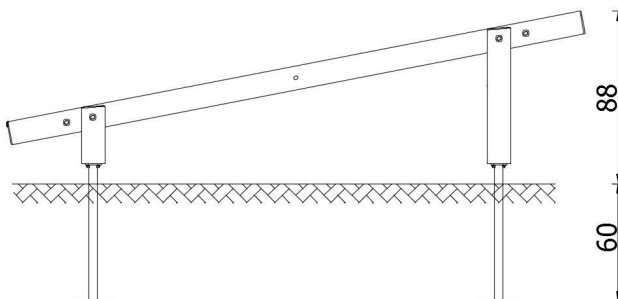
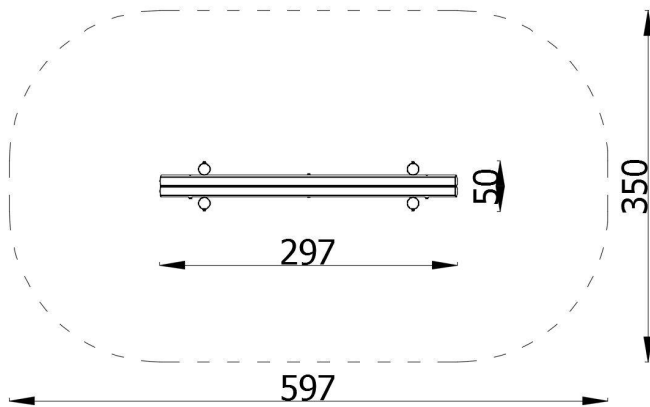
Interaction



Fun



Inclined balancing log 4210E



DESCRIPTION

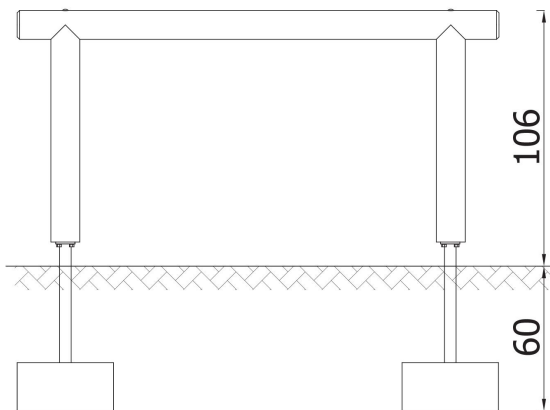
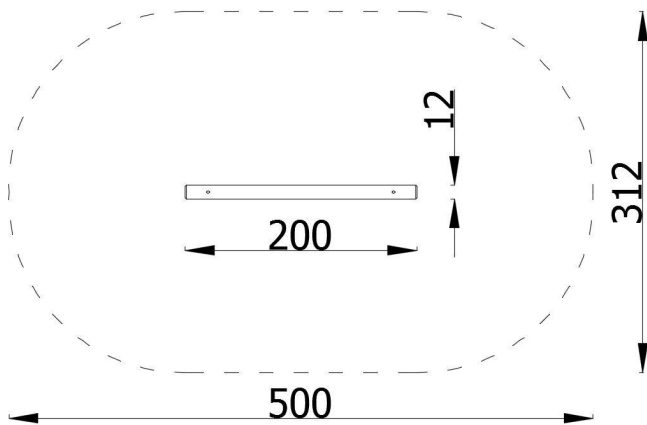
The structure of the device is made of glued laminated timber with steel elements. Vacuum and pressure impregnated wooden elements. All connectors and fittings are resistant to weather conditions and UV radiation. The device is installed below ground level according to the installation instructions.

INFORMATION

Number of users	1
Age range	3 - 14
Device dimensions [m]	2.97 x 0.5 x 0.88
Compliance with the norm	EN-1176-1:2017-12
Spare parts	Available

SAFETY SURFACE

Zone	Max height of fall [m]	Area [m ²]	Perimeter of safety zone [m]
A	0.88	19	16.5
B			
C			



DESCRIPTION

The structure of the device is made of glued laminated timber with steel elements. Vacuum and pressure impregnated wooden elements. All connectors and fittings are resistant to weather conditions and UV radiation.

The device is located below the ground level. Foundation in accordance with the assembly instructions.

INFORMATION

Number of users	1
Age range	3 - 14
Device dimensions [m]	2 x 0.12 x 1.06
Compliance with the norm	EN-1176-1:2017-12
Spare parts	Available

SAFETY SURFACE

Zone	Max height of fall [m]	Area [m ²]	Perimeter of safety zone [m]
A	1.06	14	14
B			
C			



Integration



Interaction



Fun



Physical activity

Balance beam on springs

4228EZ



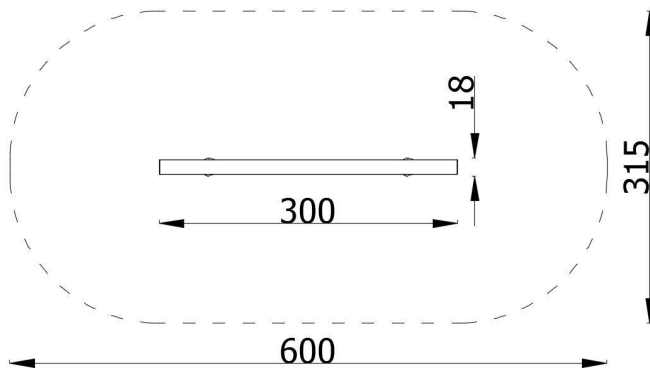
DESCRIPTION

The structure of the device is made of glued laminated timber with steel elements. Wooden elements, oiled or covered with colorful glaze. Steel elements protected against corrosion by galvanizing and powder coating. All connectors and fittings are resistant to weather conditions and UV radiation.

The device is located below the ground level. Foundation in accordance with the assembly instructions.

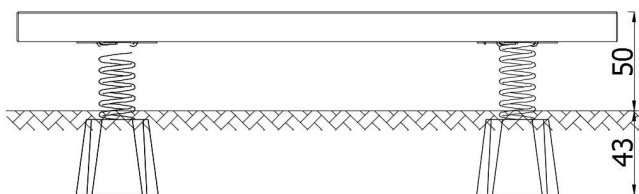
INFORMATION

Number of users	2
Age range	3 - 14
Device dimensions [m]	3 x 0.18 x 0.6
Compliance with the norm	EN 1176
Spare parts	Available



SAFETY SURFACE

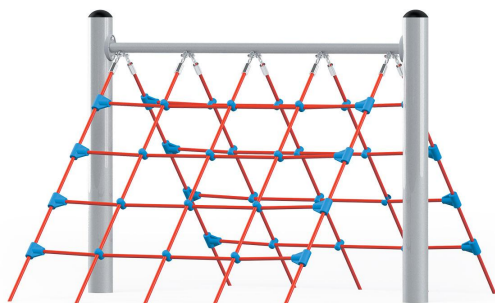
Zone	Max height of fall [m]	Area [m ²]	Perimeter of safety zone [m]
A	0.5	18.5	17
B			
C			



DESCRIPTION

The device structure is made of S235 steel. Polypropylene ropes reinforced with a steel core. Steel elements protected against corrosion by a zinc layer and powder coating. All connectors and brackets resistant to weather conditions and UV radiation.

The device is located below the ground level. Foundation according to the assembly instructions.

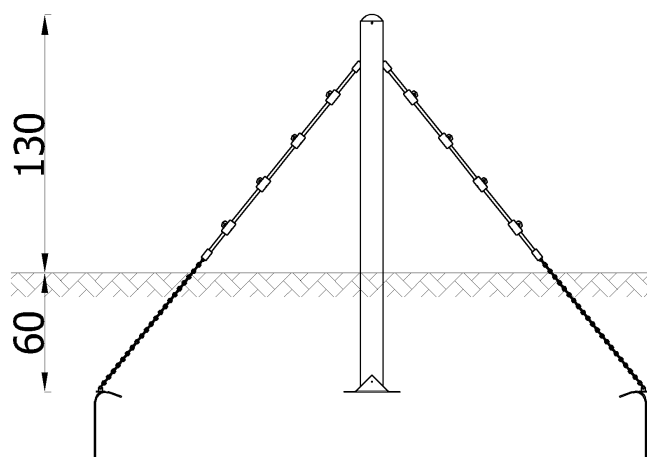
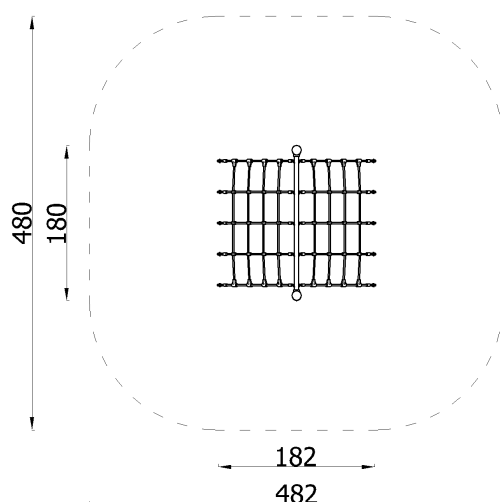


INFORMATION

Number of users	2
Age range	3 - 14
Device dimensions [m]	1.82 x 1.8 x 1.3
Compliance with the norm	EN 1176
Spare parts	Available

SAFETY SURFACE

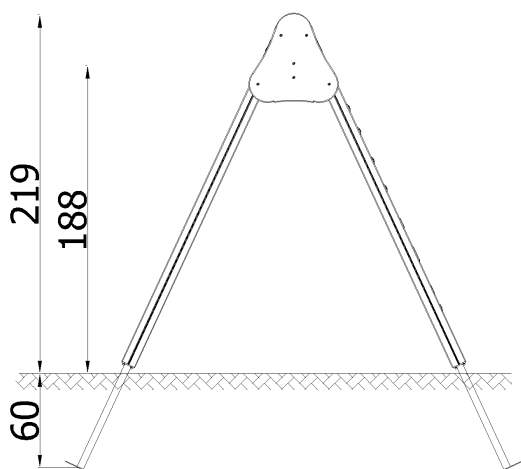
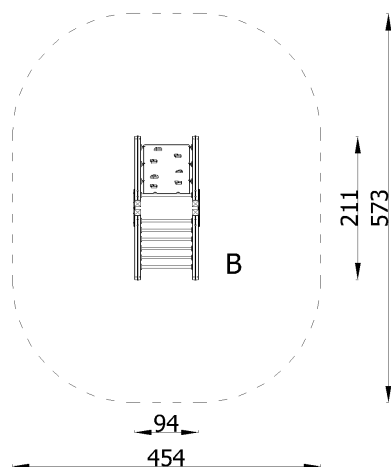
Zone	Max height of fall [m]	Area [m ²]	Perimeter of safety zone [m]
A	1.3	21	16.5
B			
C			



Climbing

Fun

Cross ladder with a climbing wall 42274EPZ



DESCRIPTION

Supporting posts made of glued laminated timber, oiled or covered with colored glaze. Colored panels in flexible high pressure polyethylene (HDPE). All connectors and fittings are resistant to weather conditions and UV radiation. Steel elements protected against corrosion by galvanizing and powder coating.

The device is located below the ground level. Foundation in accordance with the assembly instructions.

INFORMATION

Number of users	4
Age range	3 - 14
Device dimensions [m]	0.94 x 2.11 x 2.19
Compliance with the norm	EN-1176-1:2017-12
Spare parts	Available

SAFETY SURFACE

Zone	Max height of fall [m]	Area [m ²]	Perimeter of safety zone [m]
A			17.5
B	1.88	23.5	
C			



Entering



Hanging



Climbing



Physical activity