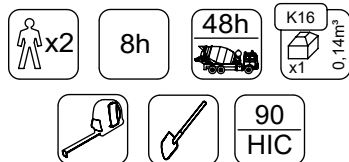
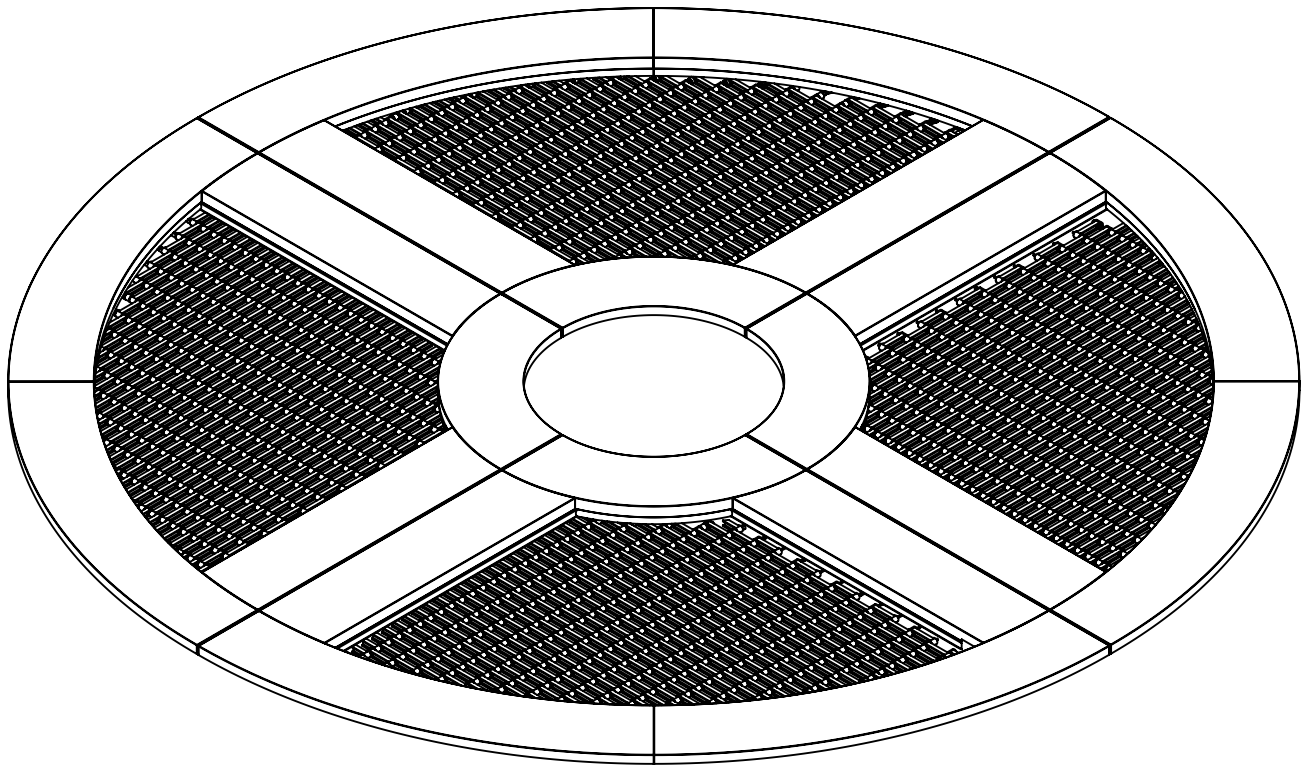
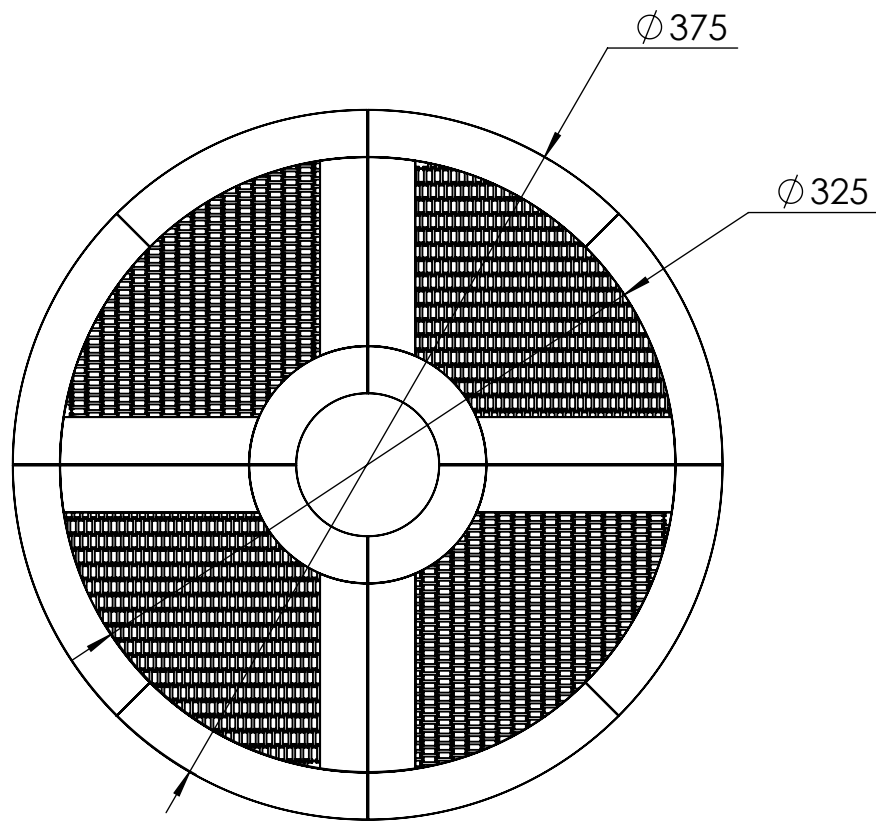
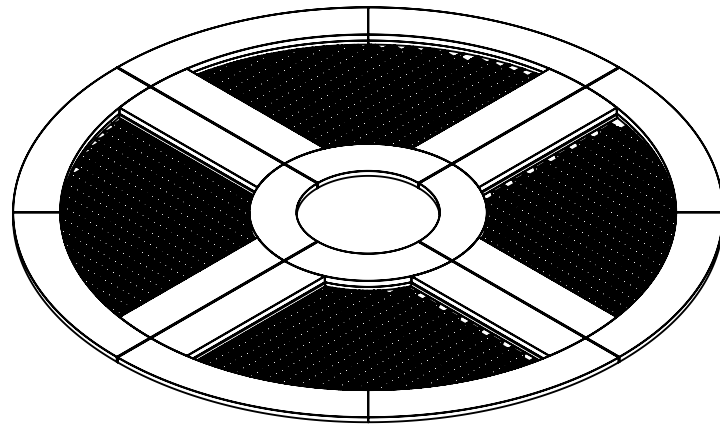


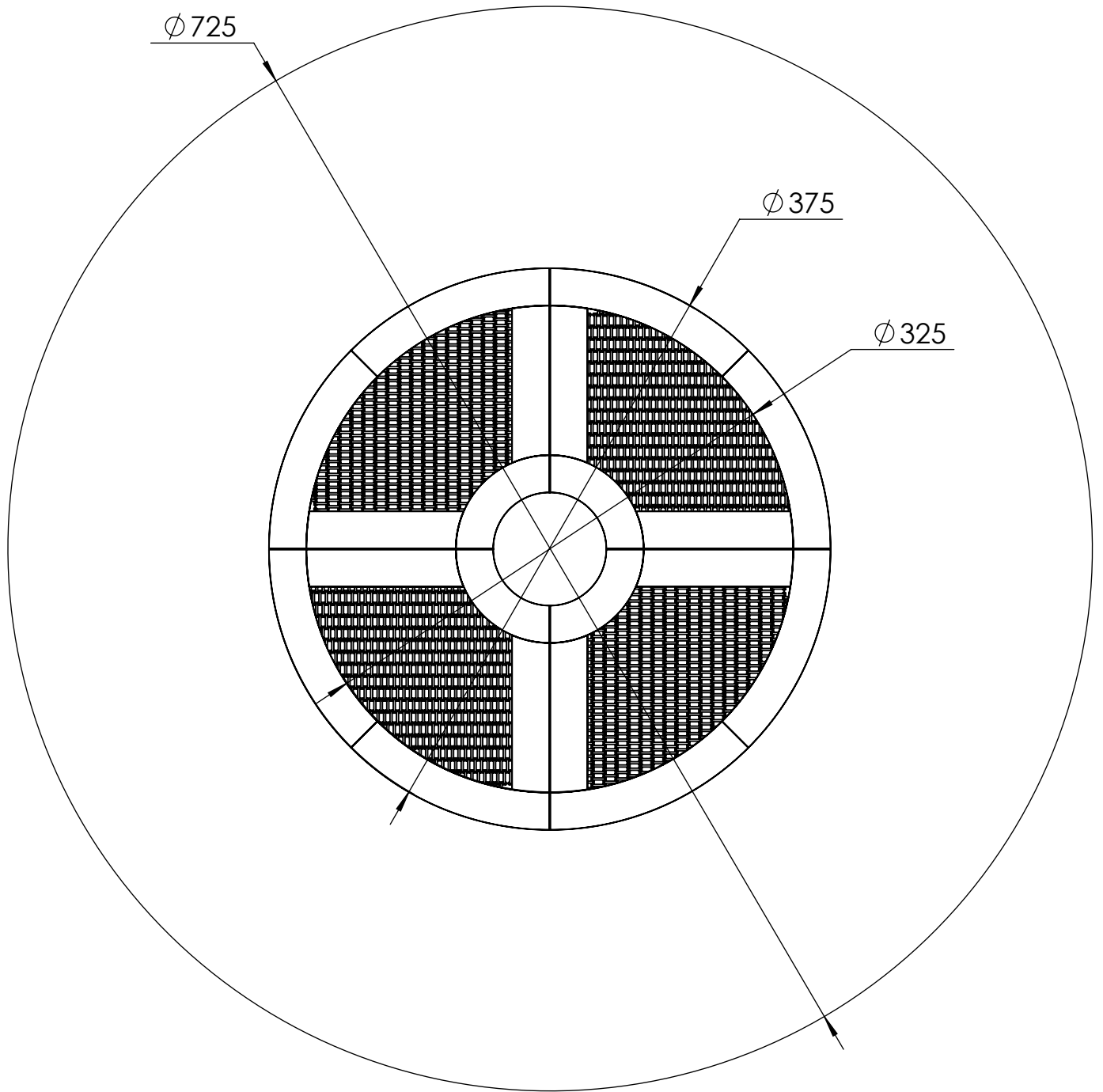
2221



v010
24.01.2022
I.A.
[cm]

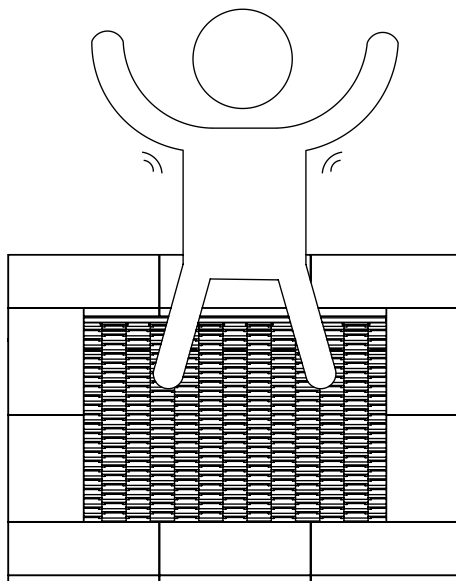
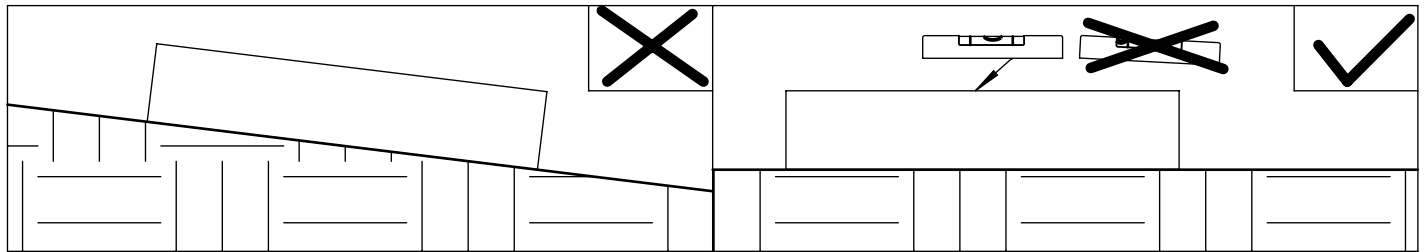
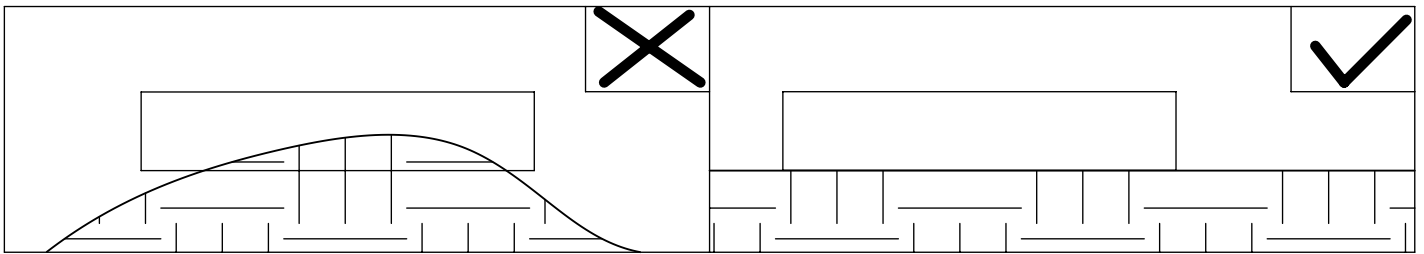
vinci
play



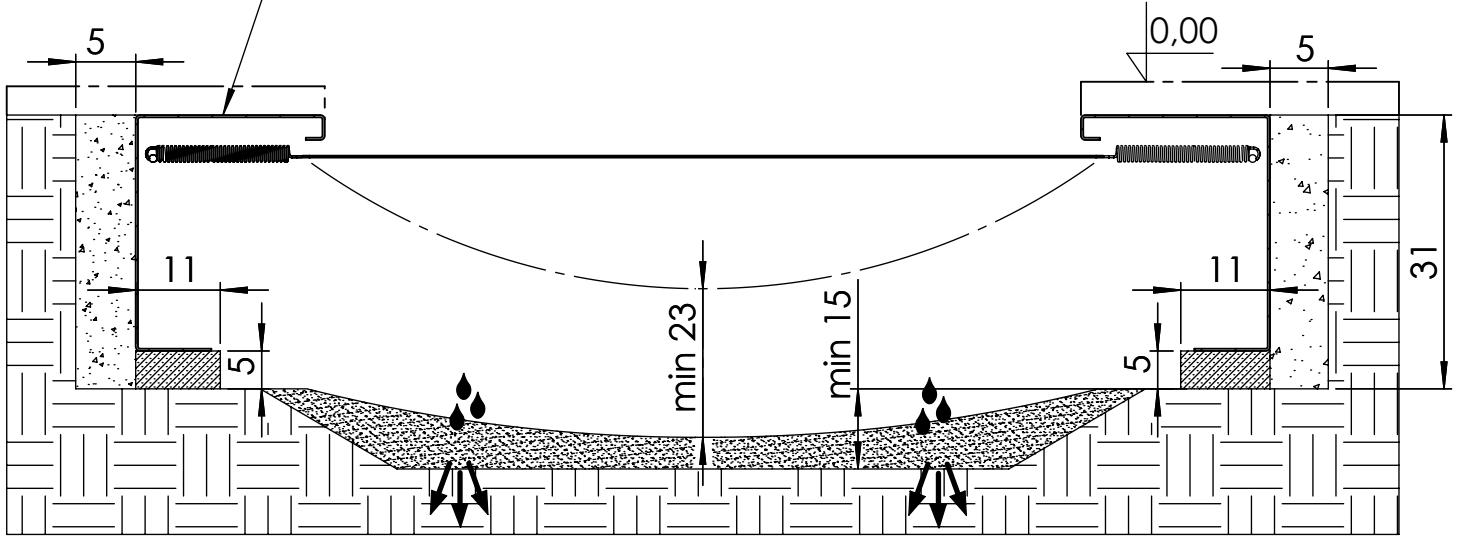
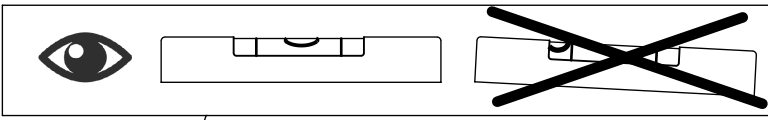



[cm]


vinci
play



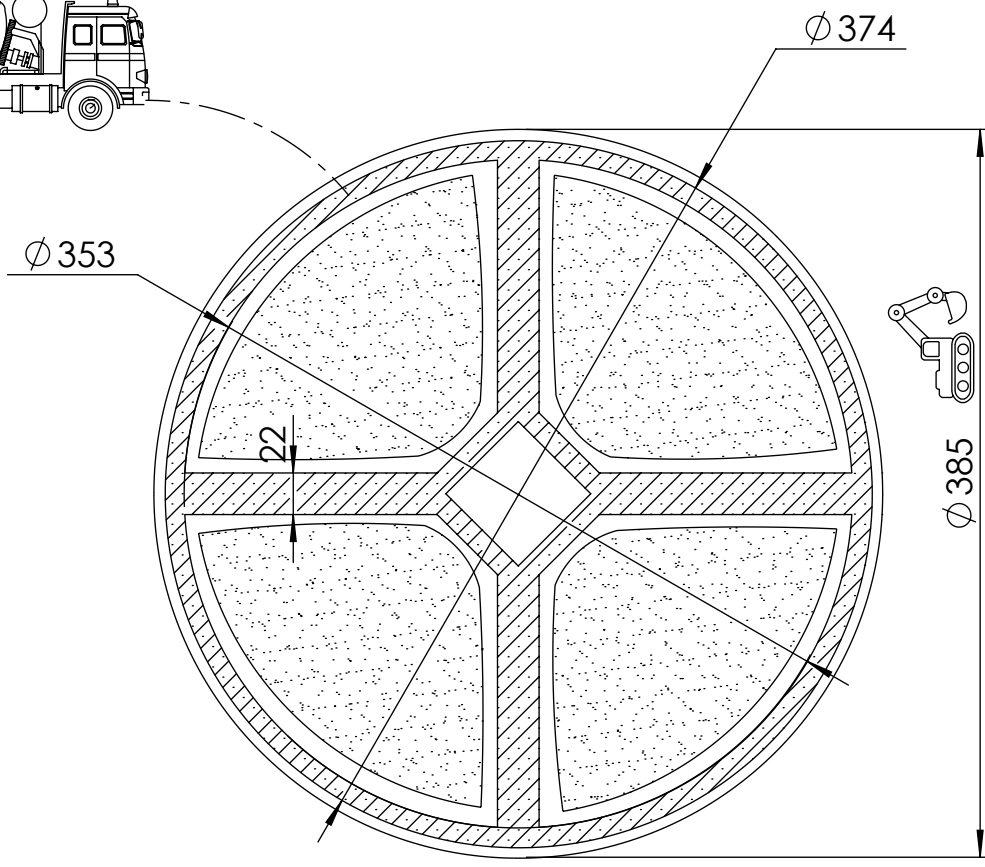
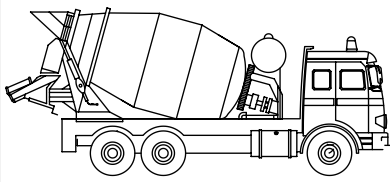
K16



48h


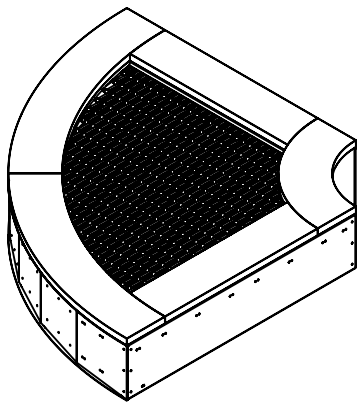
K16

x1

0,14m³

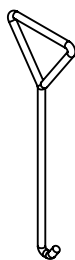


[cm]

vinci
play

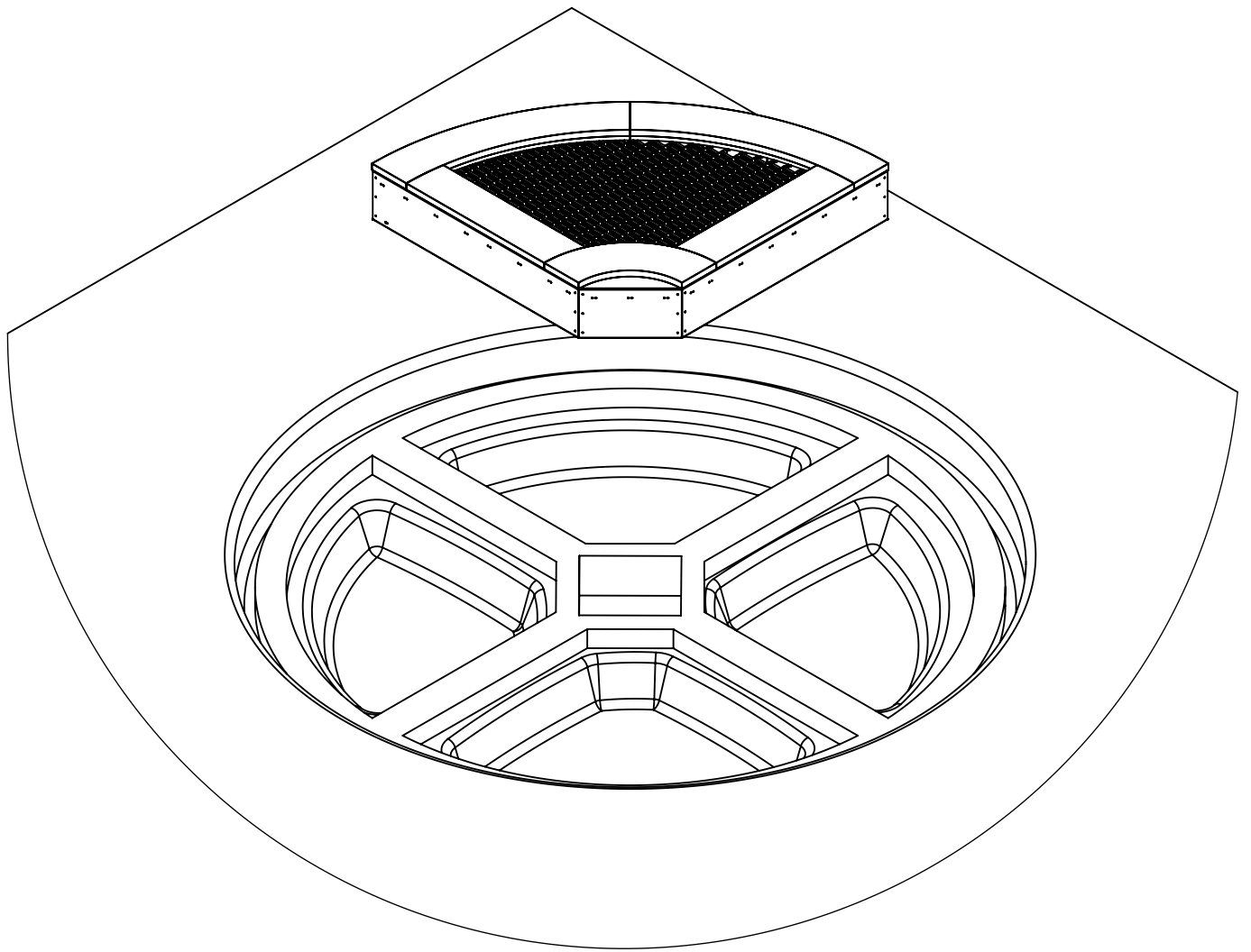


x4



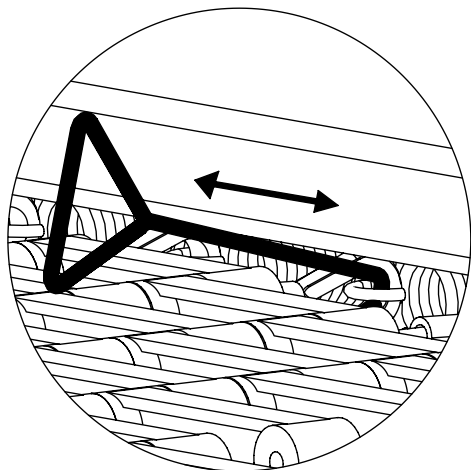
202126

x1



[cm]

vinci
play



vinci play
Art. Nr.
—
202
EM 1170-1: 2017

Vinci Group Sp. z o.o.
Polska, ul. Polna 10a 8
00-410 Warszawa
POLAND
+48 41 289 24 00
www.vinciplay.com
www.vinciplay.pl

V002

