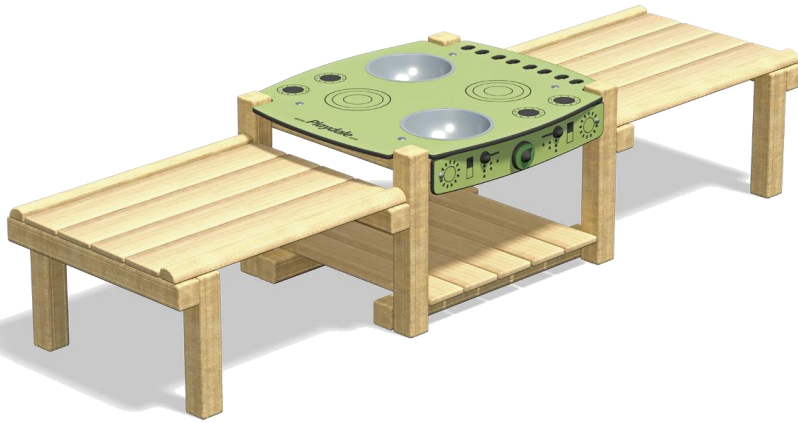


# Mud Kitchen 3



## Code – MUD/3

### Age

3-7 years

### Materials

Compact Grade Laminate (CGL)

Sawn Timber

Stainless Steel

Bolts

Various Plastic Mouldings

### Product Description

An easy clean mud kitchen that encourages imaginative and cooperative play.

## Technical Information

### Equipment Dimensions

Length / Width / Height **2.4m x 0.8 x 0.6m**

### Surfacing and Area Required

Recommended Minimum Space L/W/H **4.4m x 2.8m x 3.1m**

Max Gradient of Ground **1 in 30**

Free Height of Fall **N/A**

Suggested Hardstanding **11.27m<sup>2</sup>**

Synthetic Area  
(i.e. EPDM / Wetpour / Synthetic Grass etc.) **N/A**

Loosefill at 150mm  
(i.e. Bark / Cushionfall / Sand) **N/A**

1m x 1m Grassmats **N/A**

### Installation Information

SGF

SF (if different)

Installation Time **1 Person(s) 10 Hour(s)**

Overall Weight **65kg** **61kg**

Heaviest Part **12kg** **12kg**

Largest Part **0.8m x 0.7m x 0.1m** **0.8m x 0.7m x 0.1m**

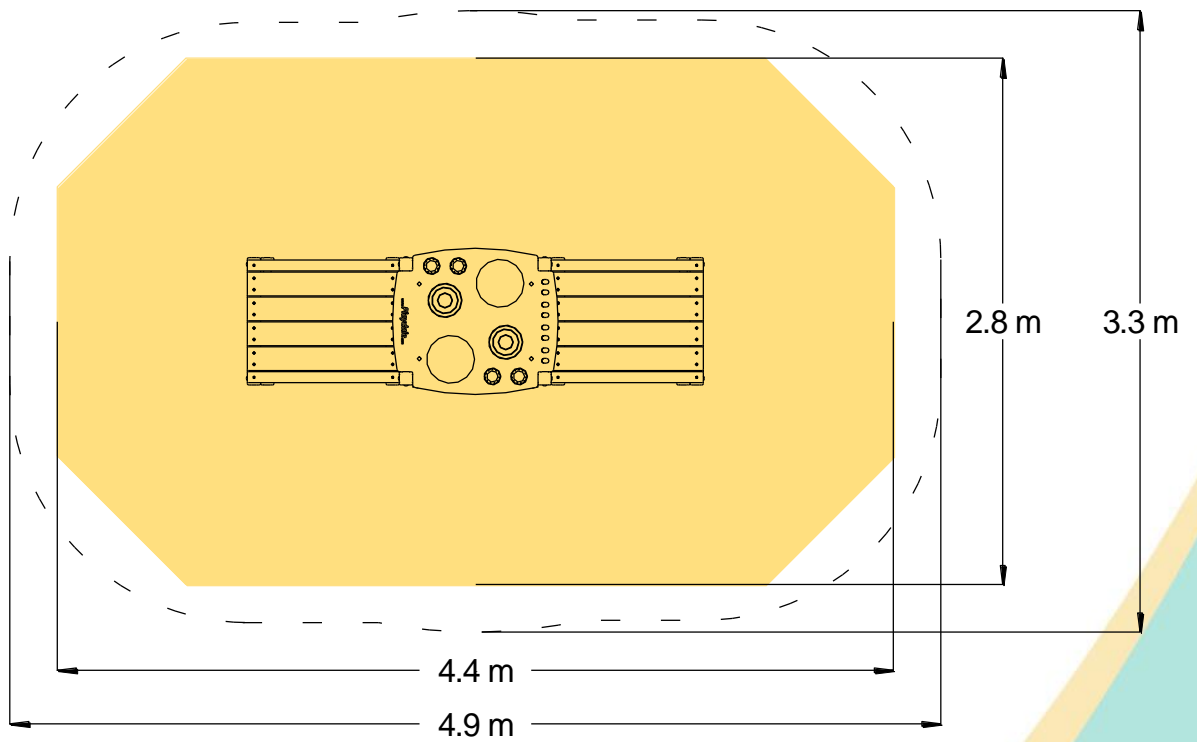
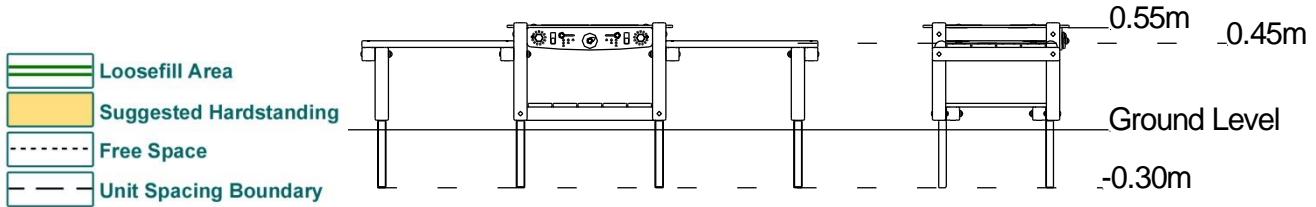
Longest Part **0.9m** **0.9m**

Concrete Required **0.22m<sup>3</sup>** **0.22m<sup>3</sup>**

Certified to ASTM F1487

[Click here for more information & downloads](#)





[Click here for more information & downloads](#)

