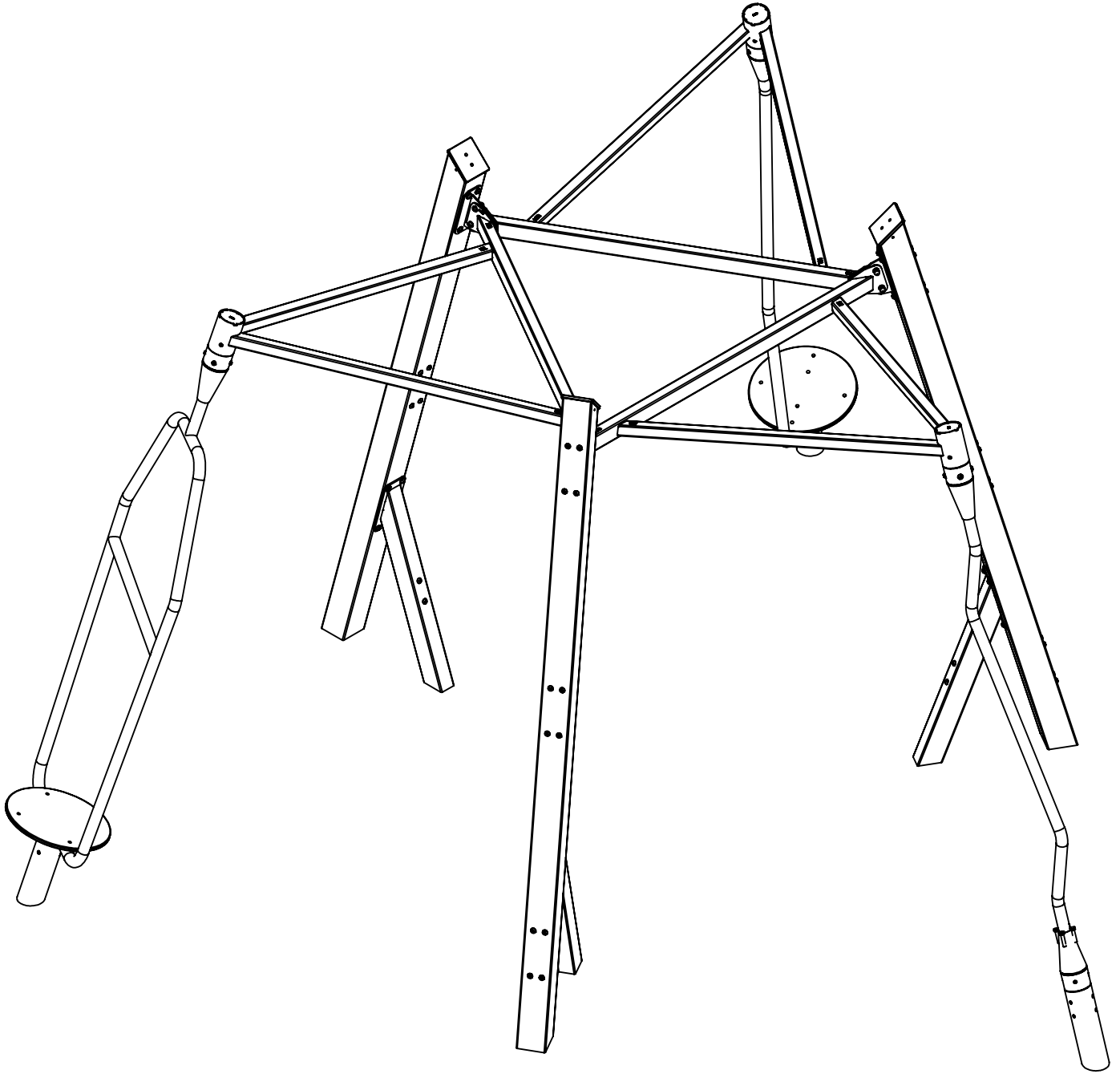
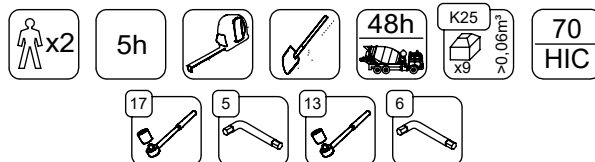


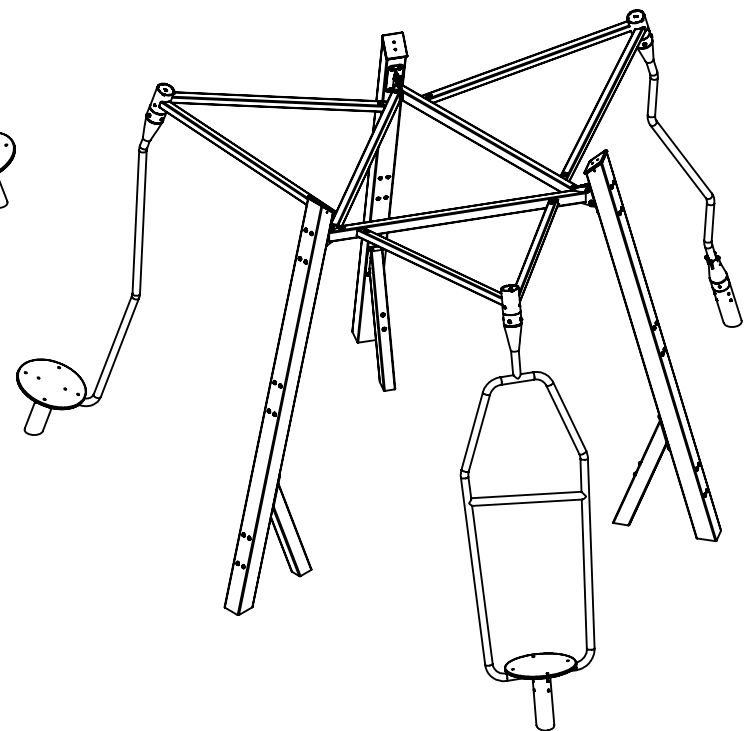
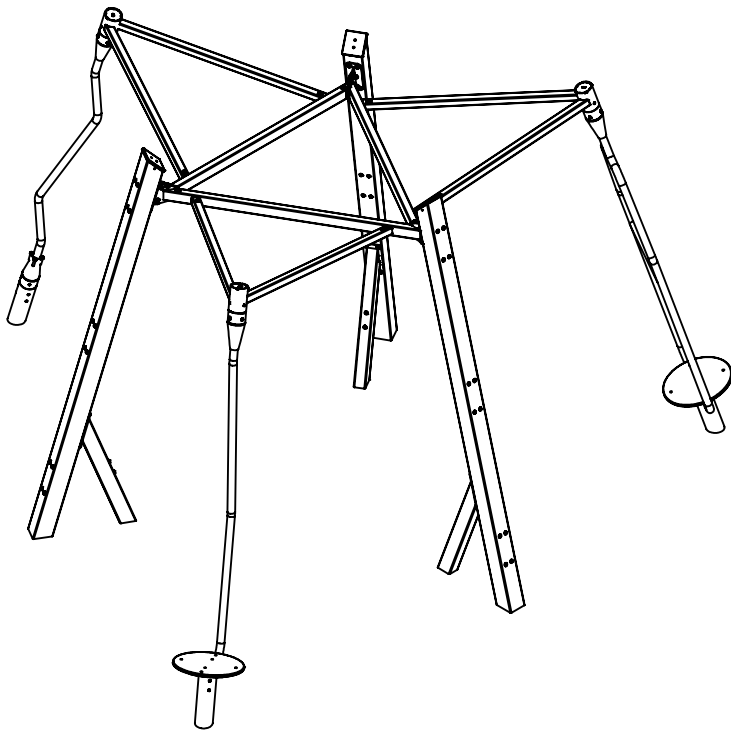
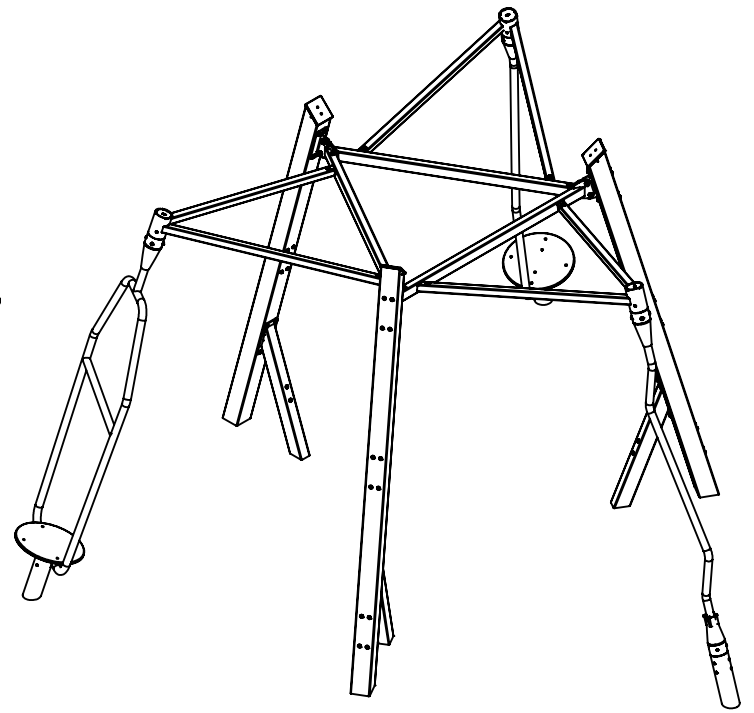
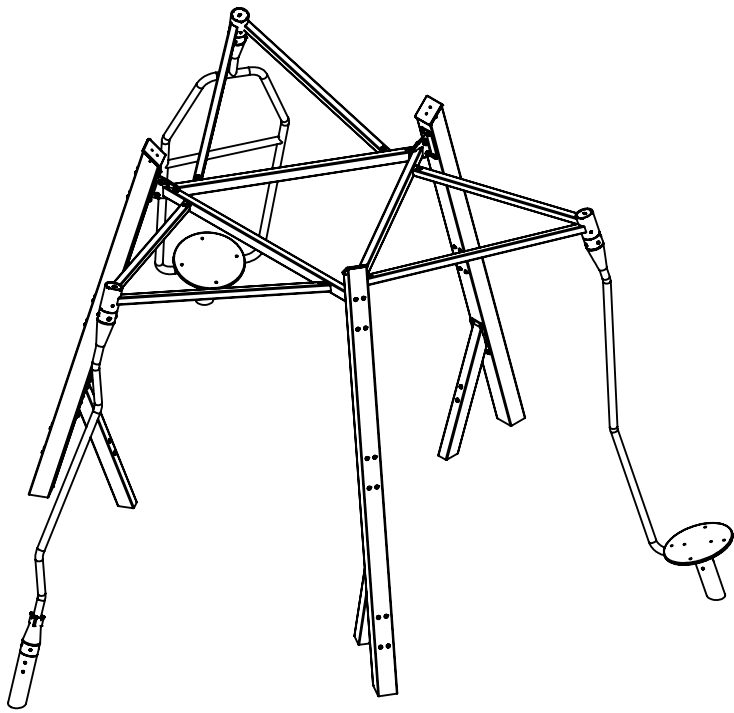
1633



v013
30.10.2020
A. D.
[cm]

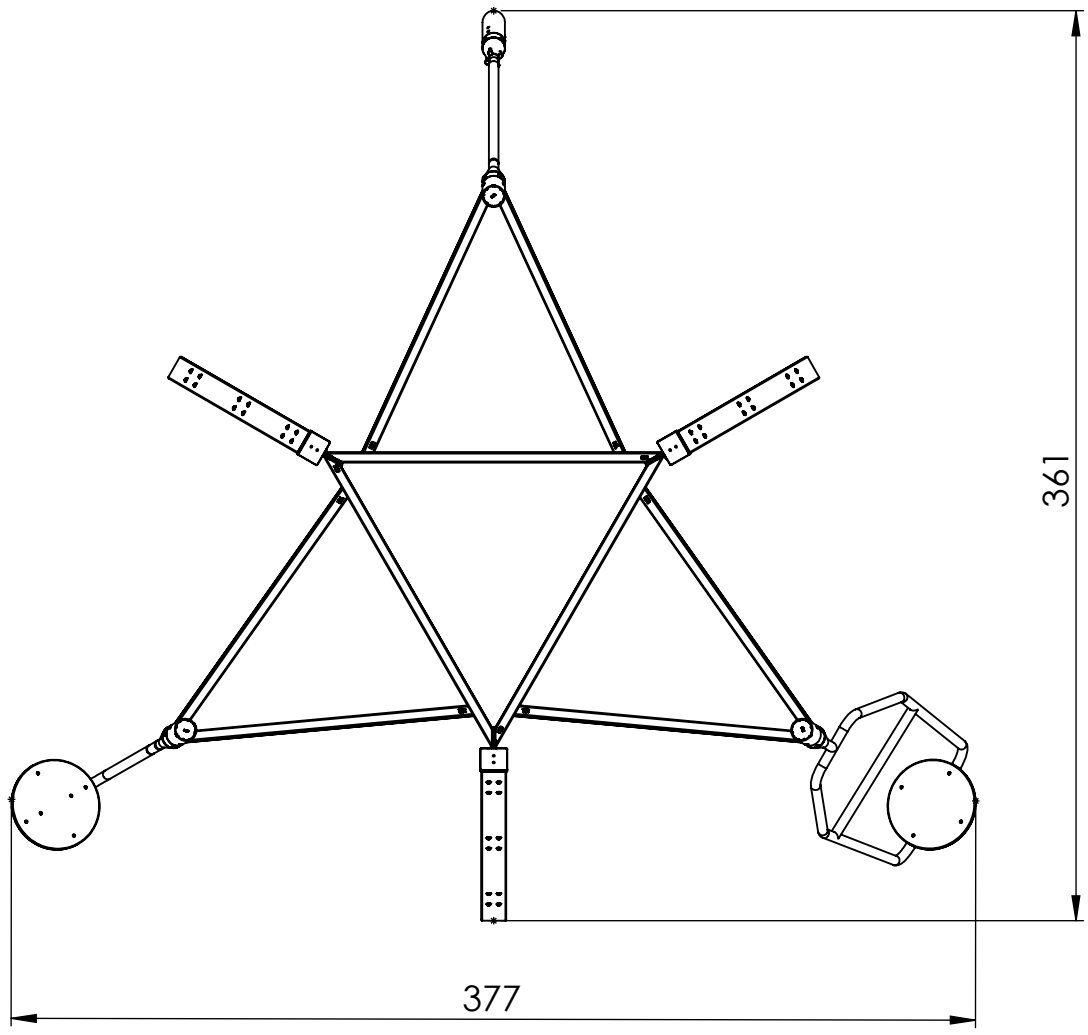
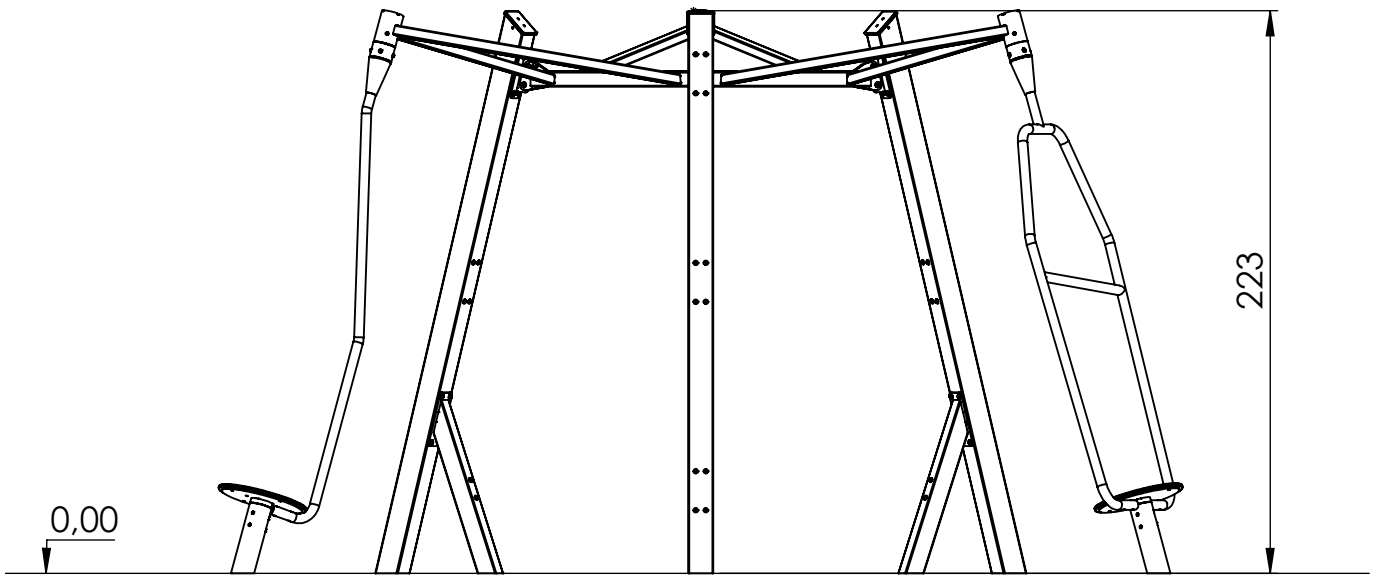


vinci
play



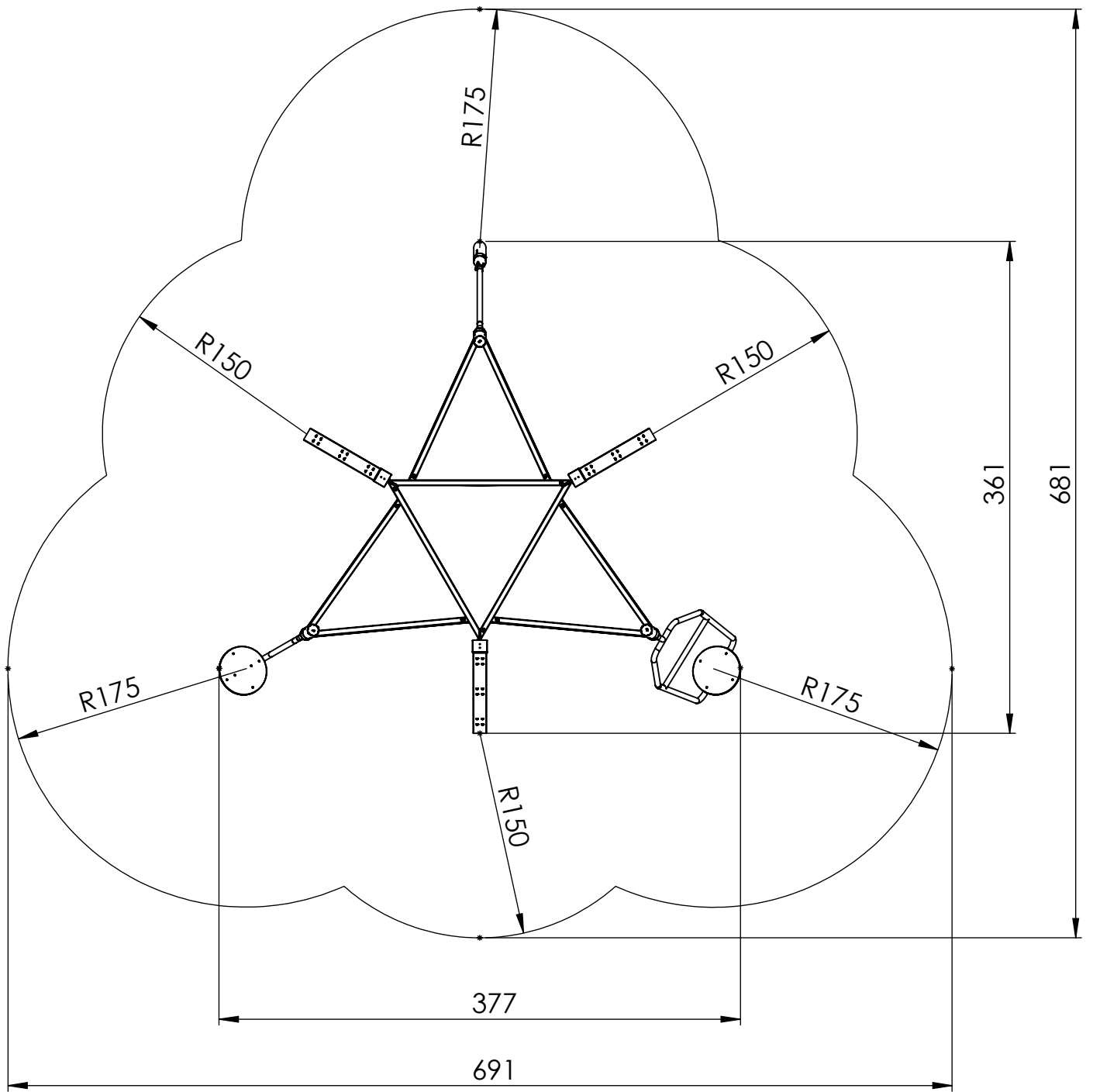
[cm]

vinci
play



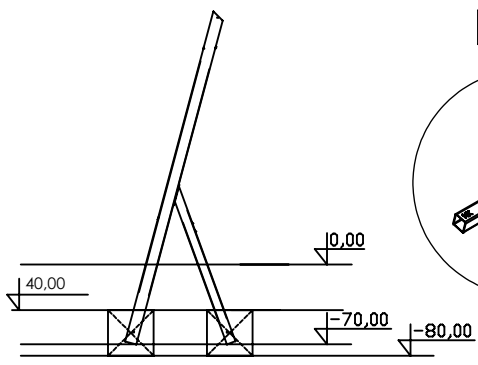
[cm]

vinci
play

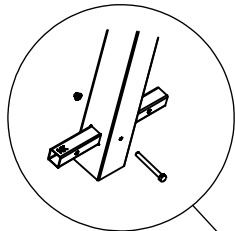


[cm]

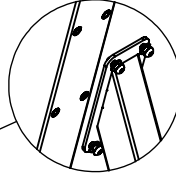
vinci
play



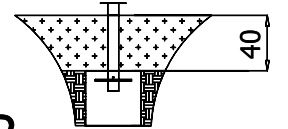
E90



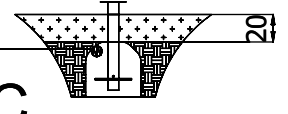
E1



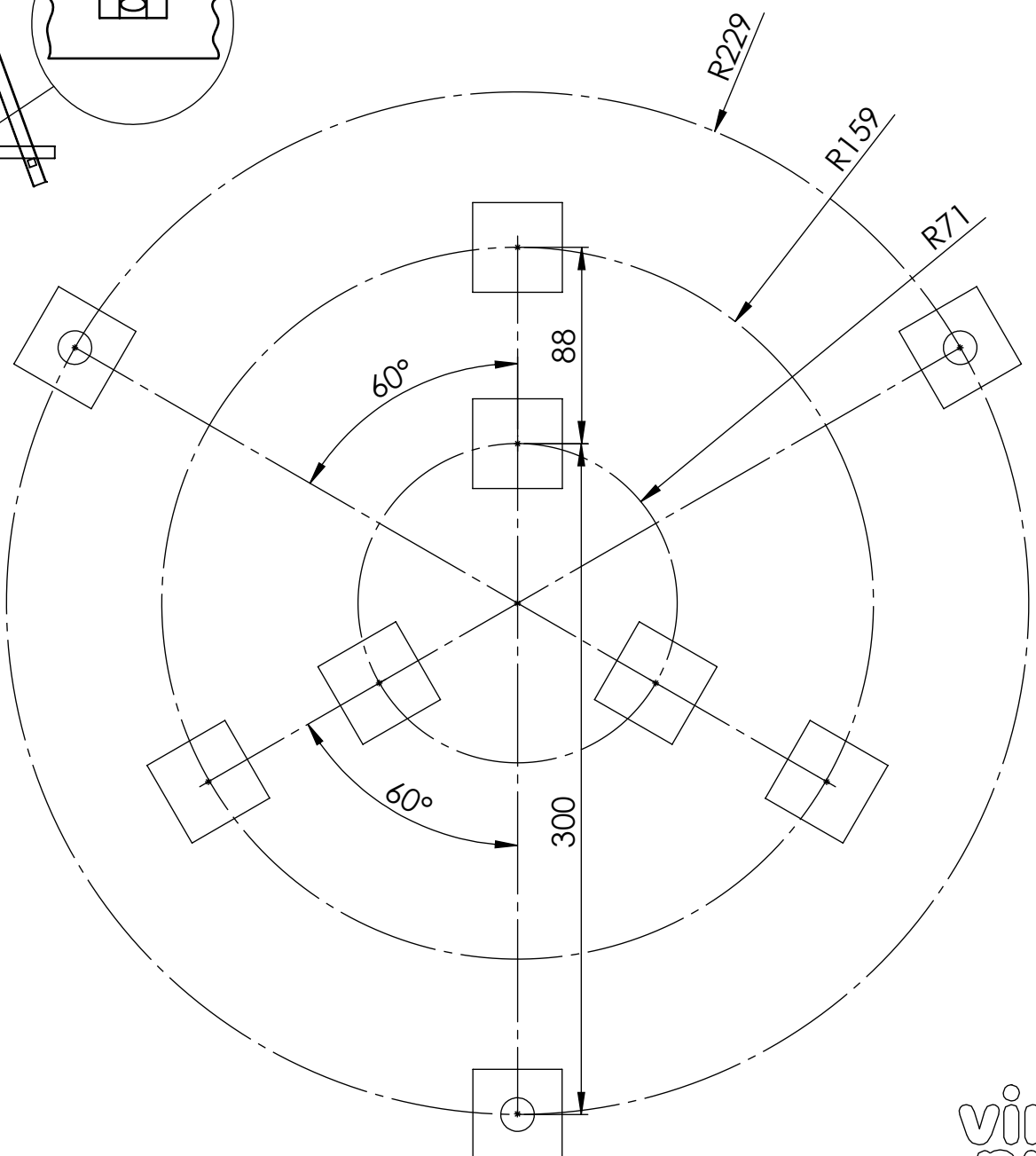
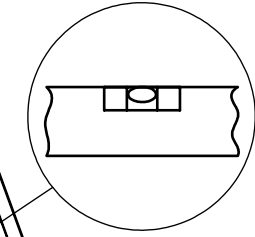
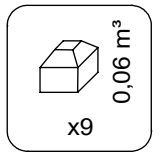
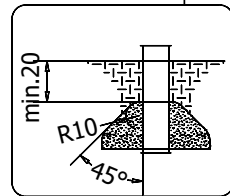
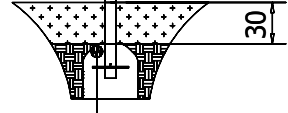
A.



B.

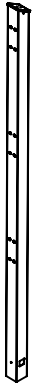


C.



[cm]

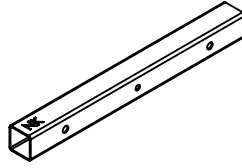
vinci play



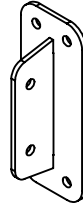
164104
x3



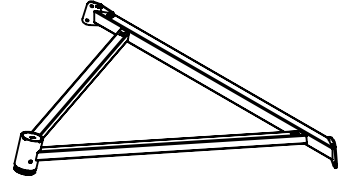
162100
x3



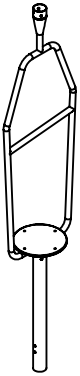
163109
x6



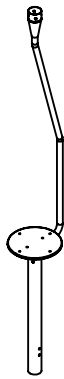
162101
x3



164100
x3



164101
x1



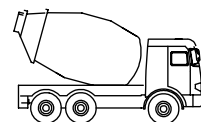
164102
x1



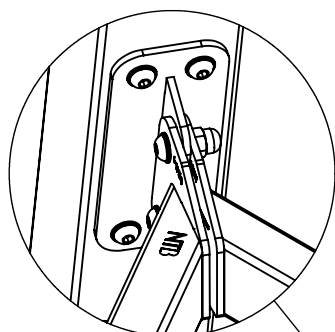
164103
x1

3x	E74
6x	E1
3x	E90
14x	E93
1x	E99
1x	V002

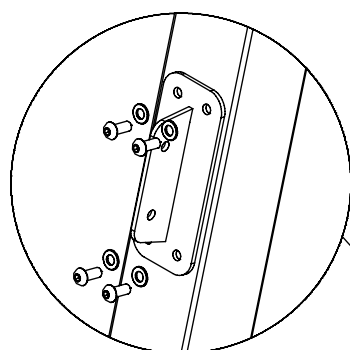
48h



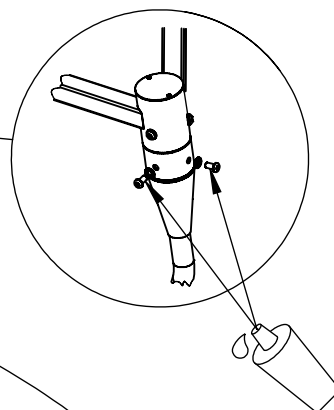
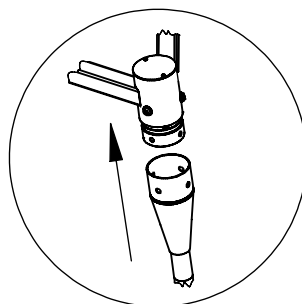
E99



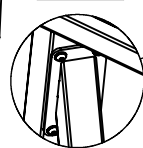
E1



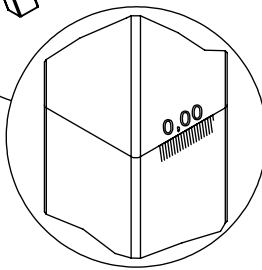
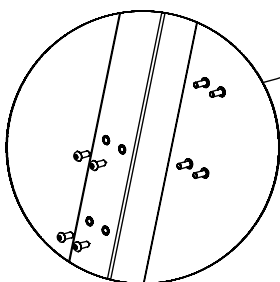
E74



E1

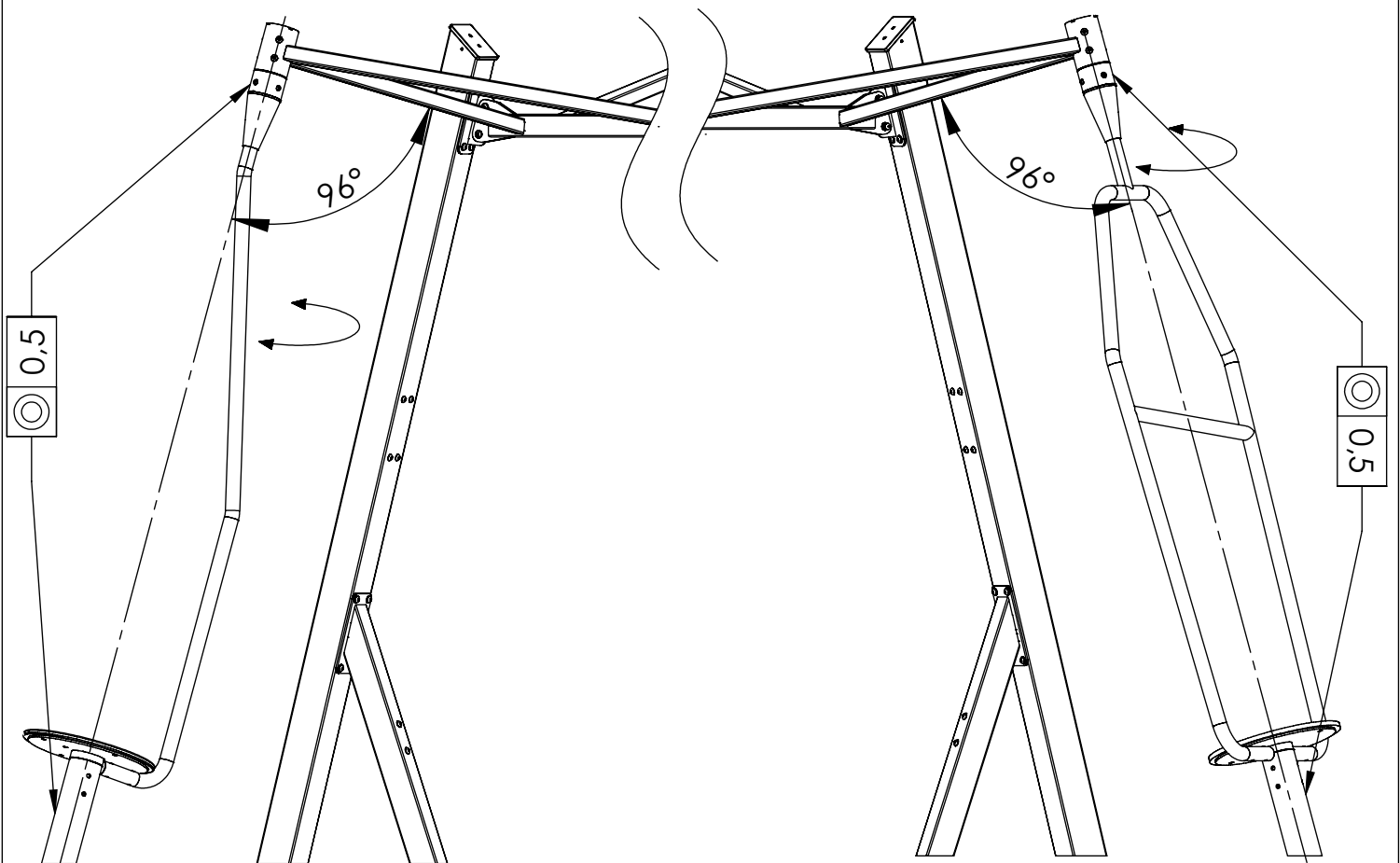
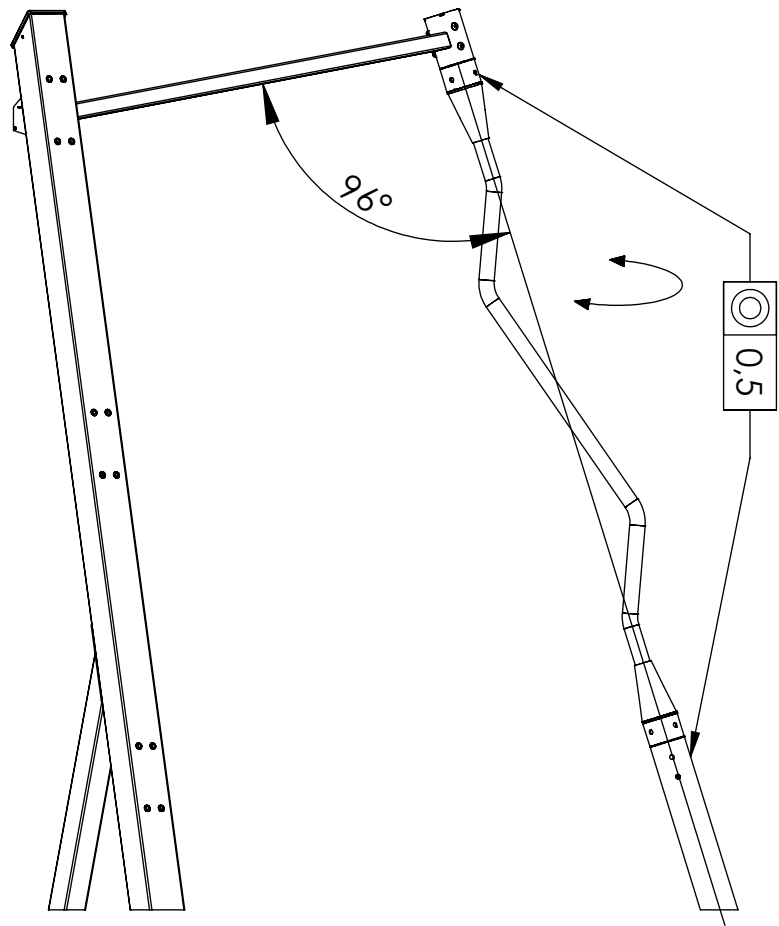


E93



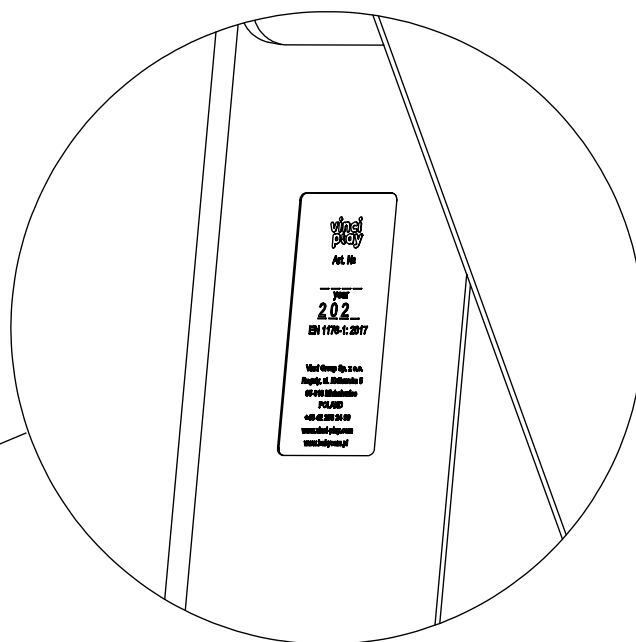
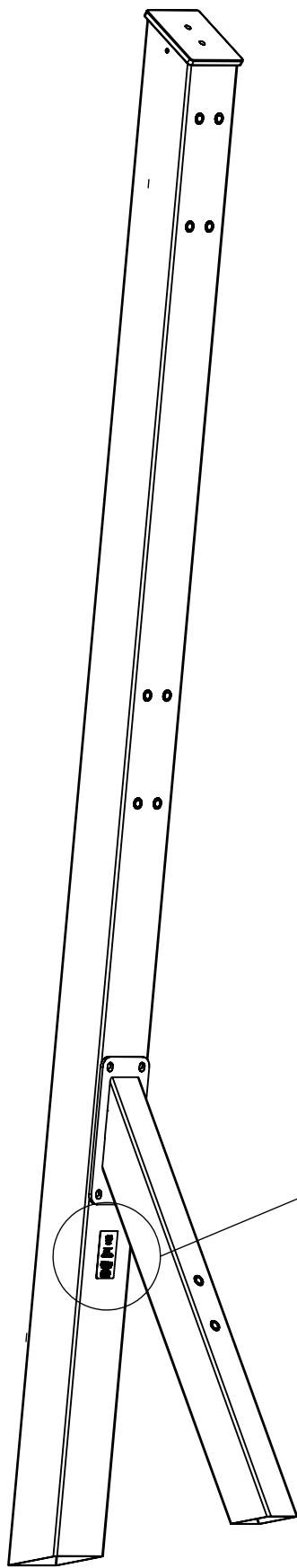
[cm]

vinci play



[cm]

vinci
play



1x V002

[cm]

vinci
play