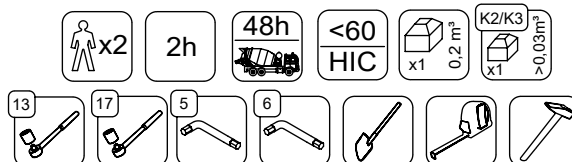
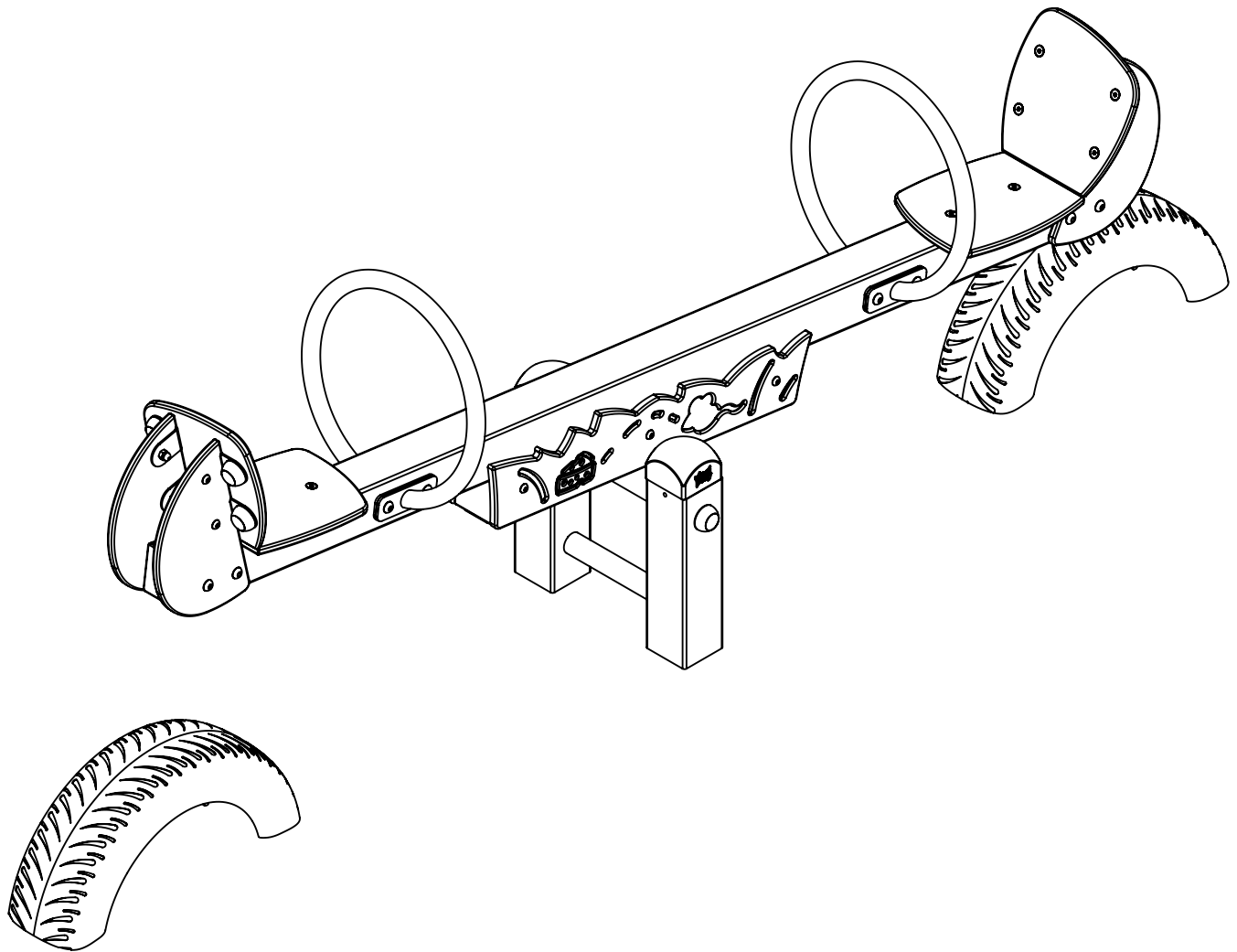
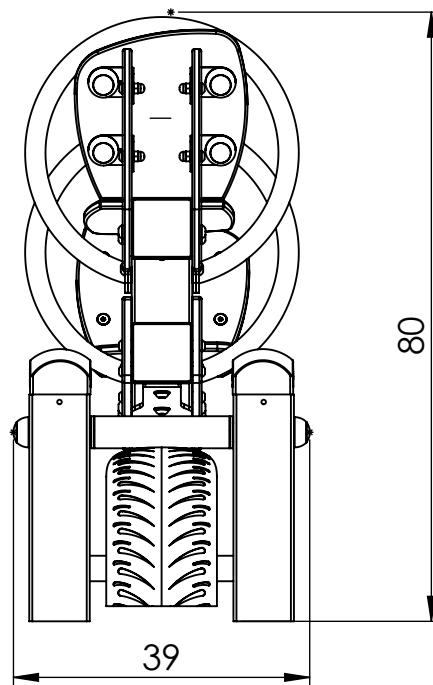
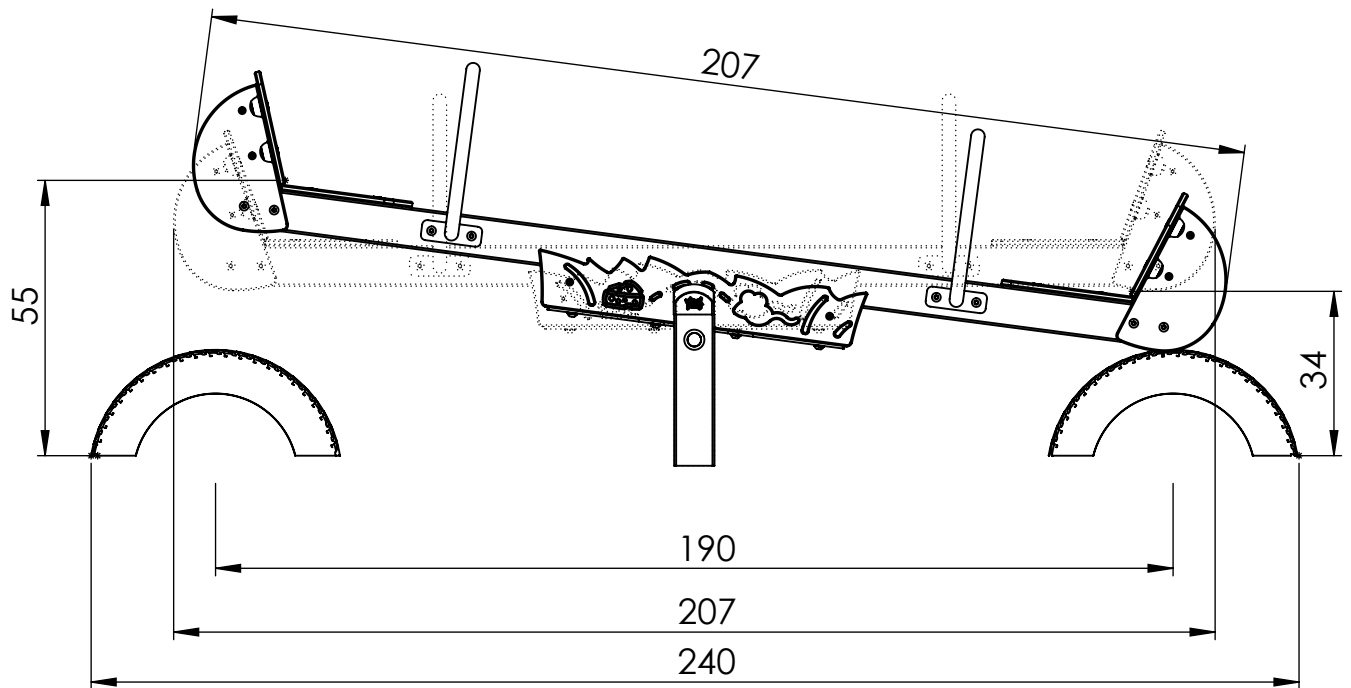


# ST0522



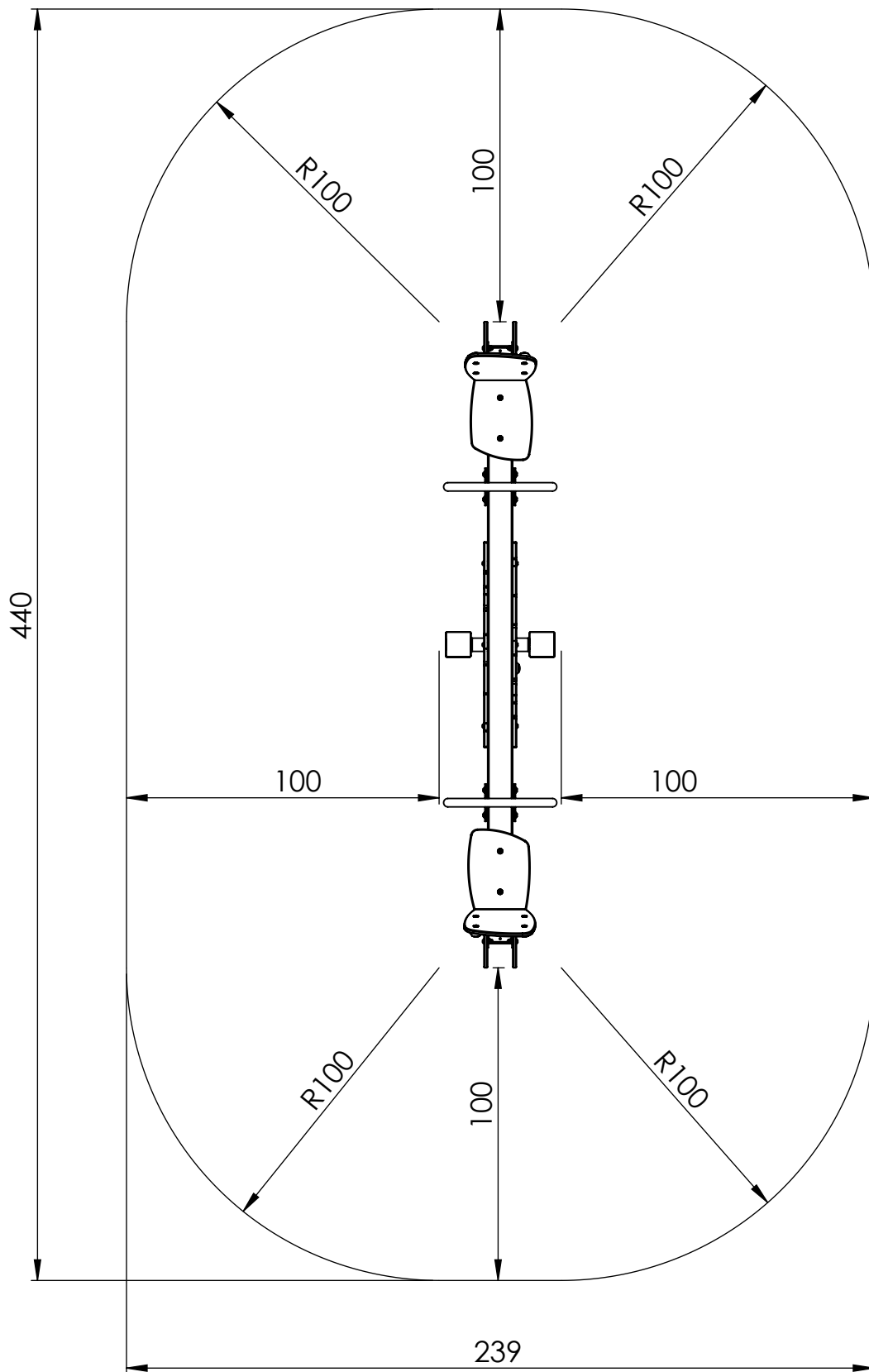
[cm]  
v010  
05.08.2021  
M.D.

vinci  
play



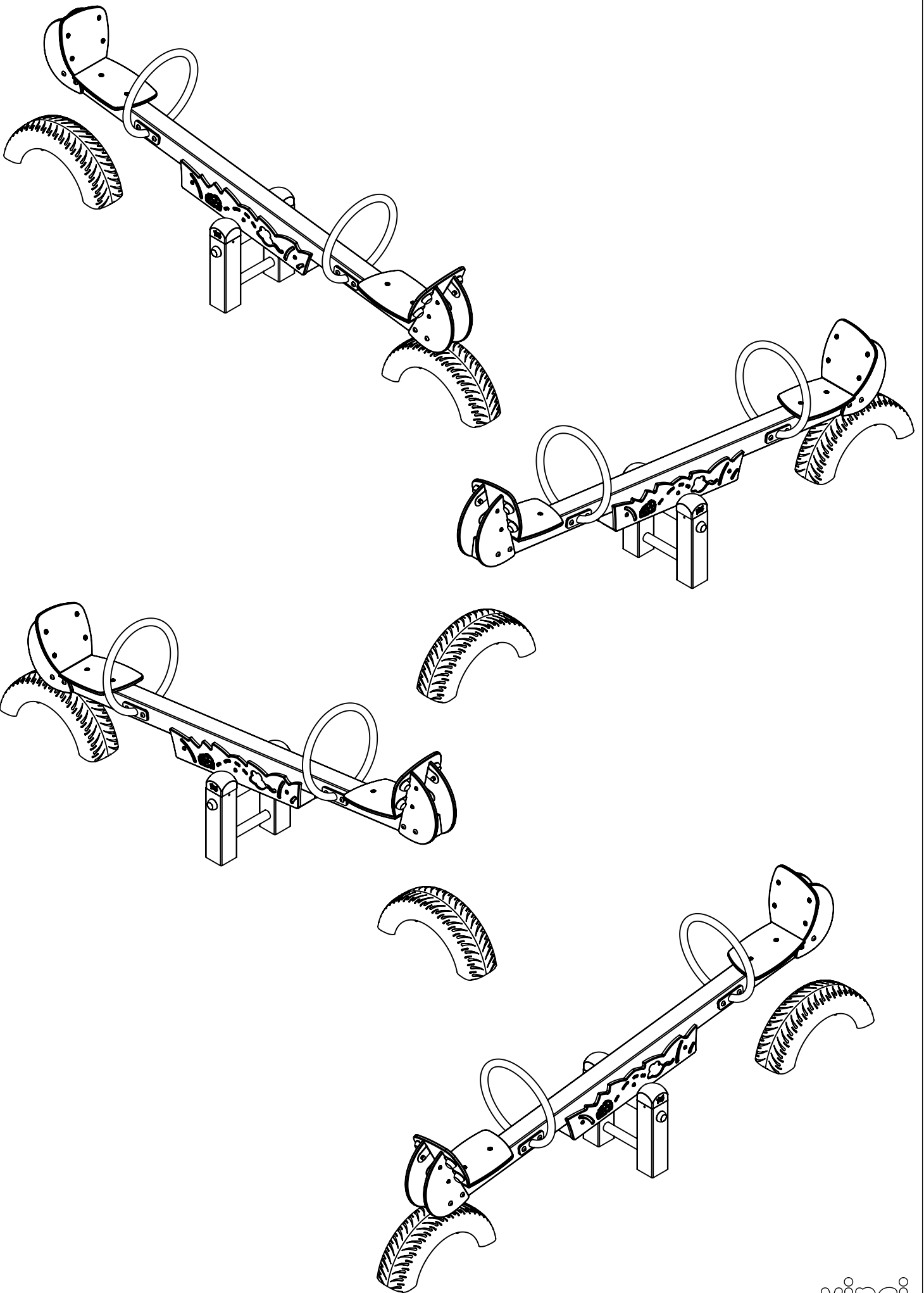
[cm]

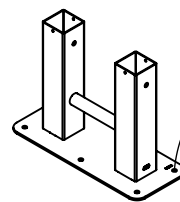
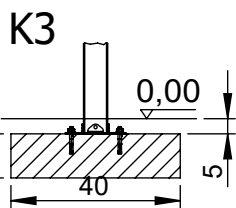
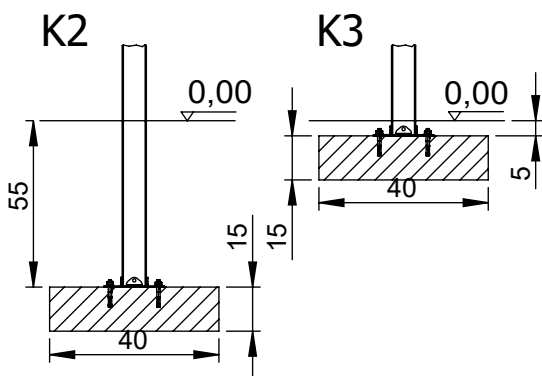
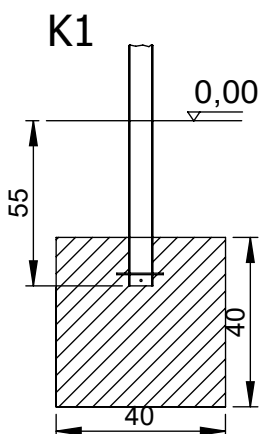
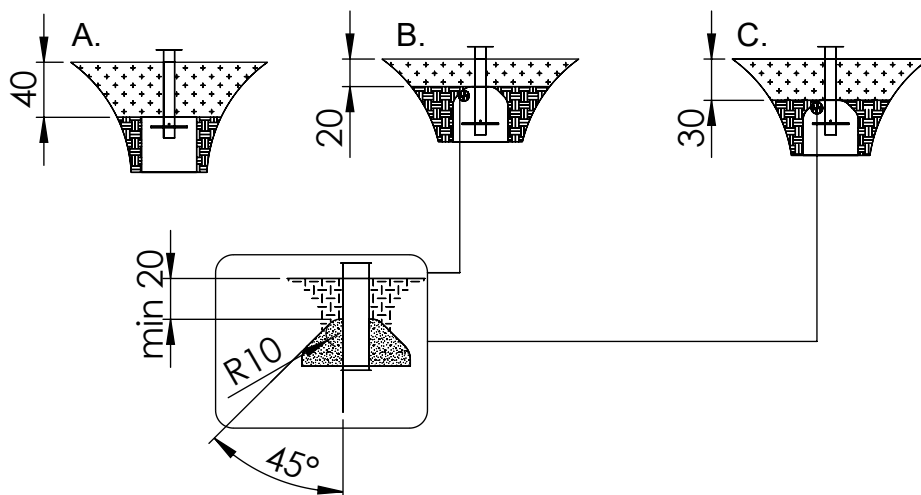
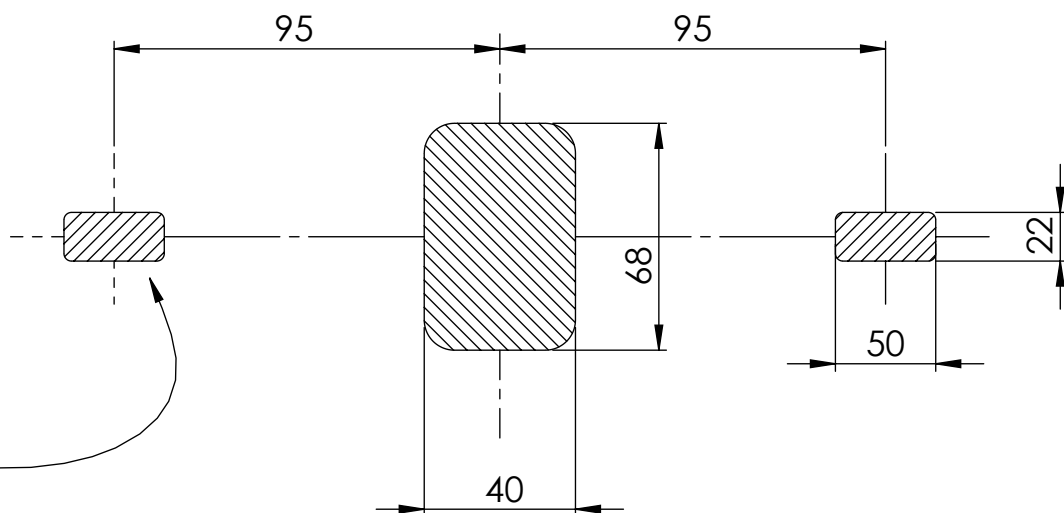
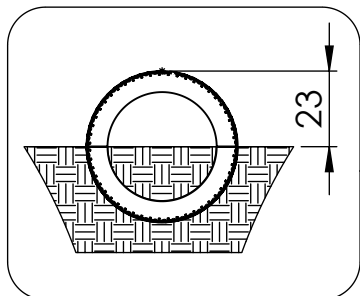
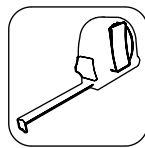
vinci  
play



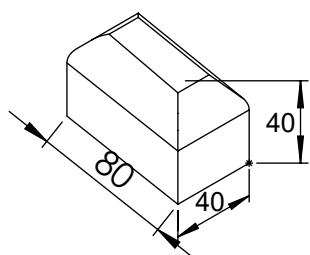
[cm]

vinci  
play





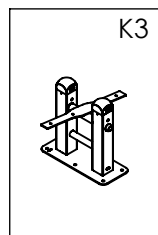
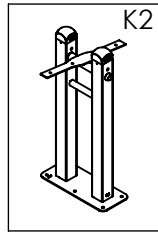
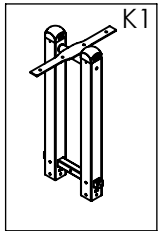
	K2, K3
M10x120 x6	
<b>NOT INCLUDED</b>	



[cm]



vinci  
play



042111  
x2



051105  
x4



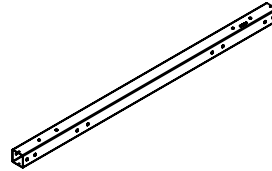
051103  
x2



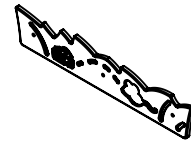
051104  
x2



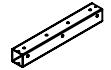
996227  
x2



053114  
x1

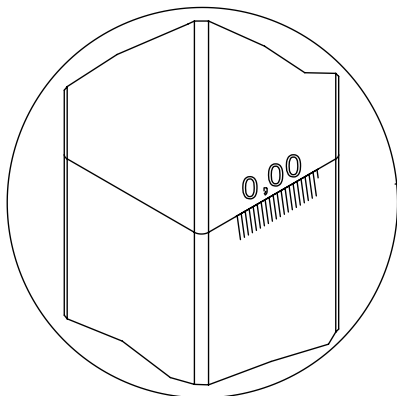
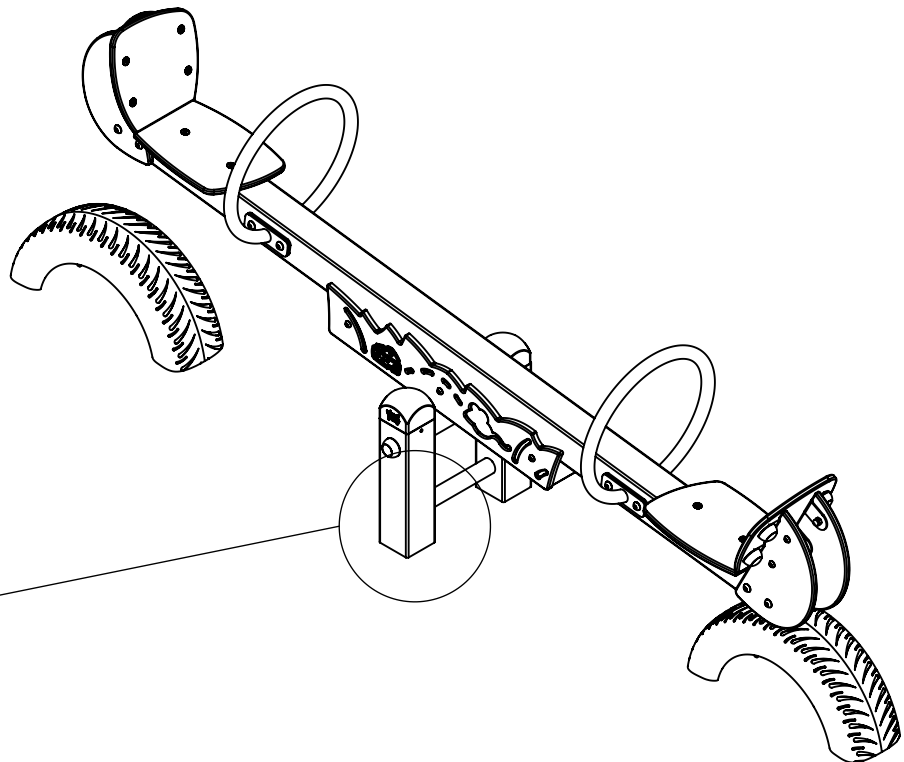


051107  
x2

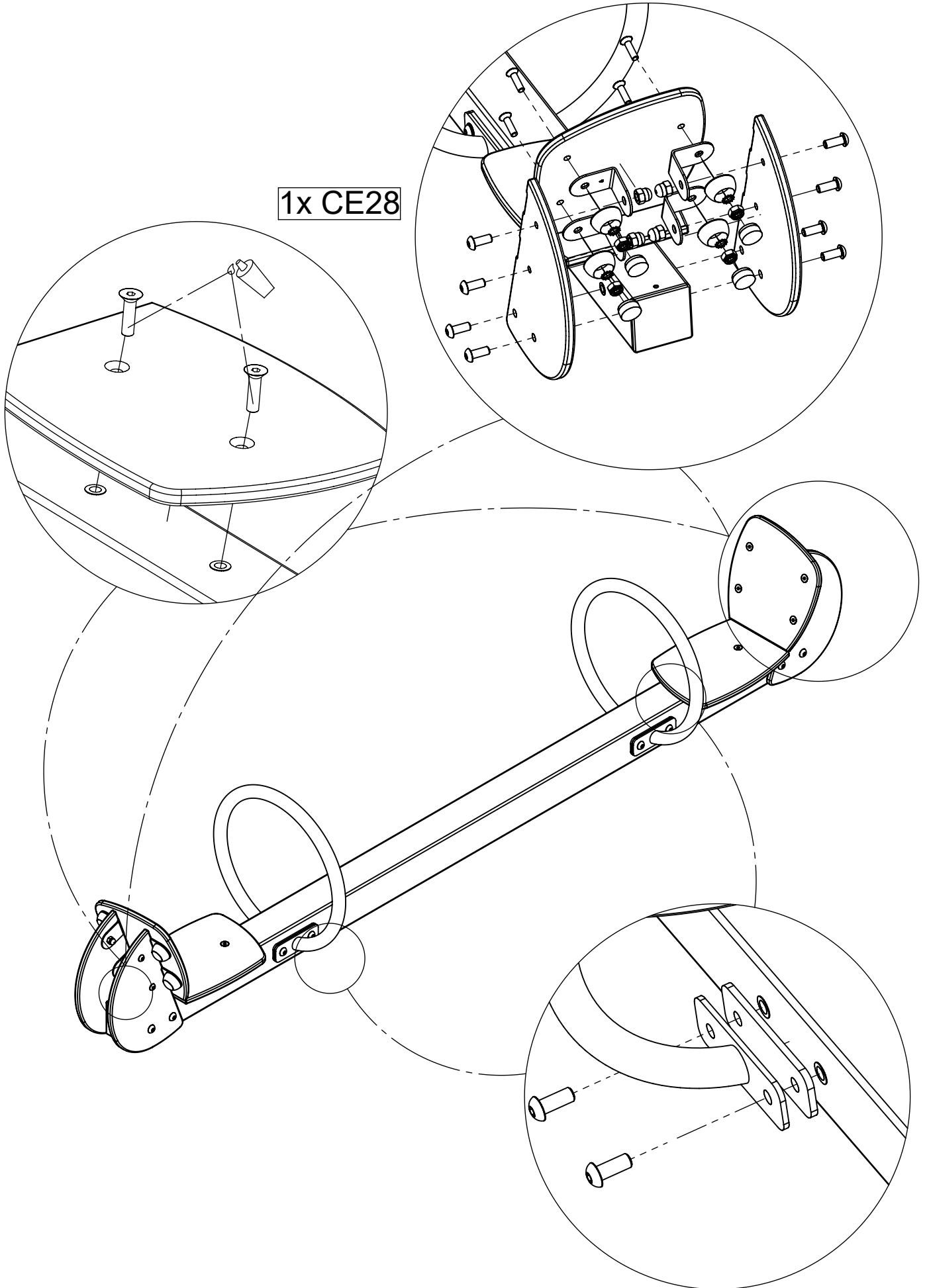


053121  
x1

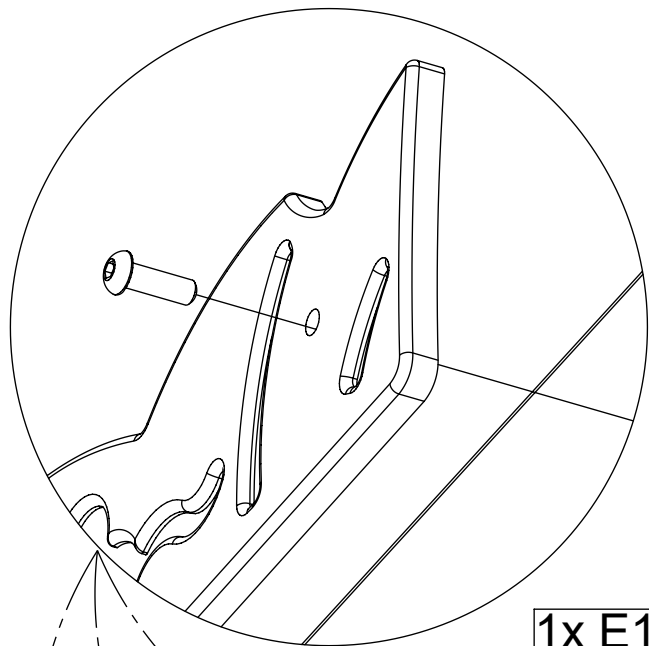
ST		HDPE	
2x	E191	2x	CE28
1x	E192		
1x	E193		
1x	V001		



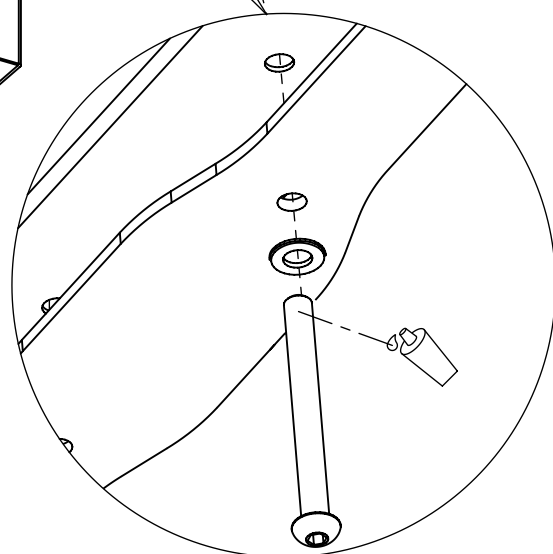
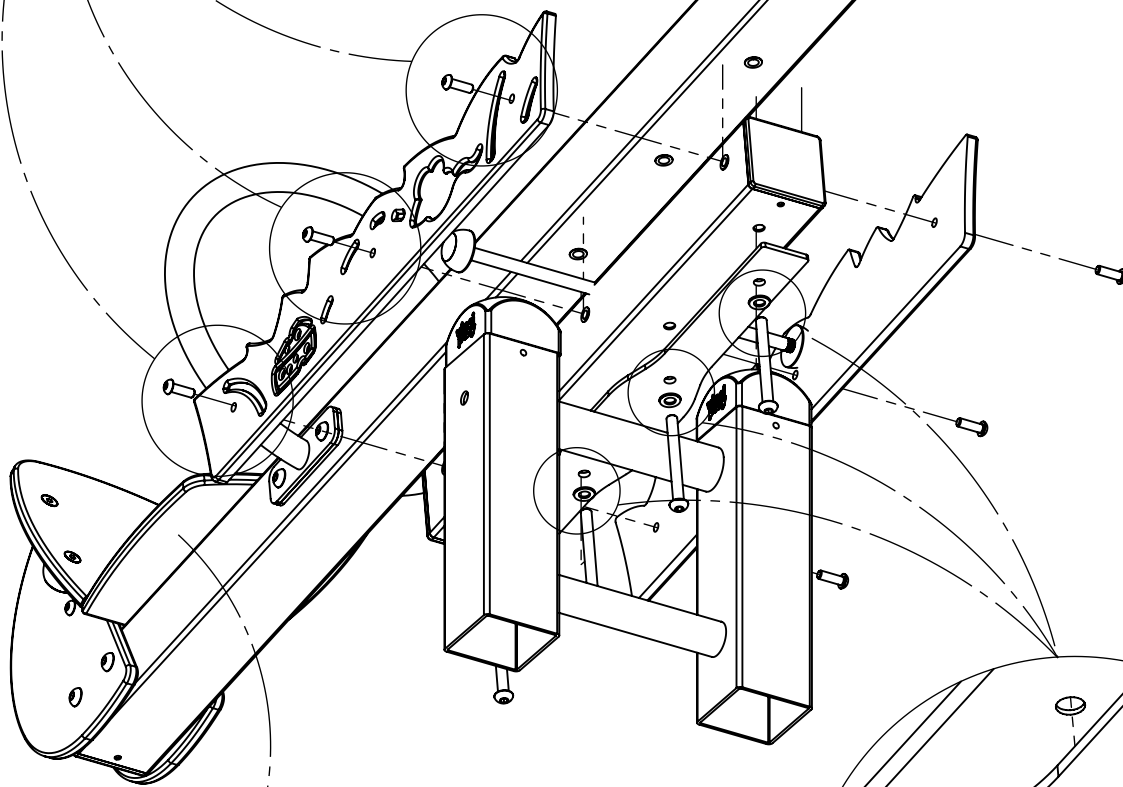
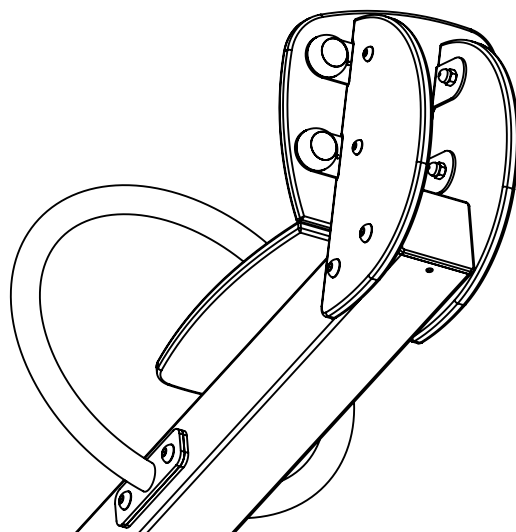
1x CE28



1x E191



1x E192



1x E193

vinci  
play  
Art. No  
— year —  
202  
EN 1176-1: 2017  
Vinci Group Sp. z o.o.  
Reguły, ul. Królewska 6  
06-816 Michałowice  
POLAND  
+48 42 203 24 99  
www.vinci-play.com  
www.babycam.pl

V001

vinci  
play