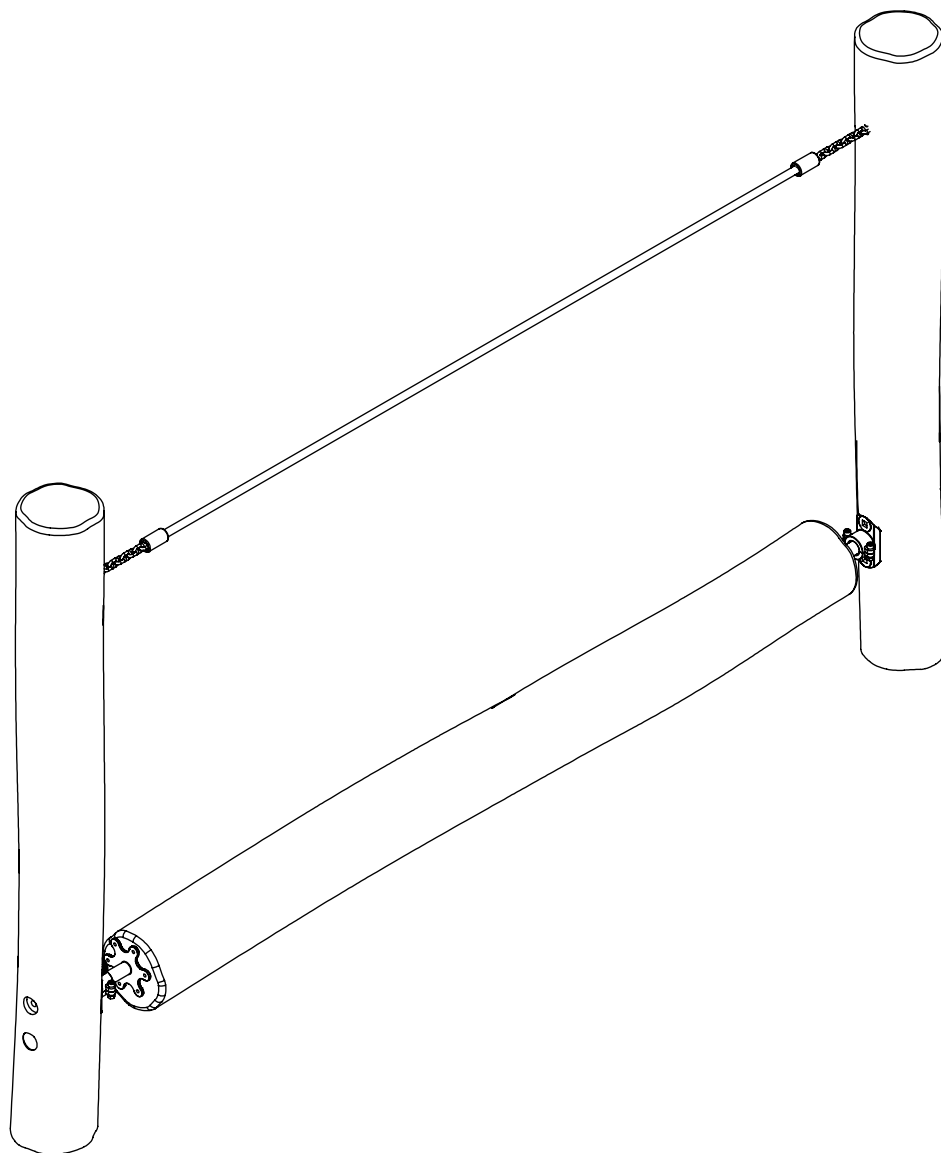


RB1375



1h



48h



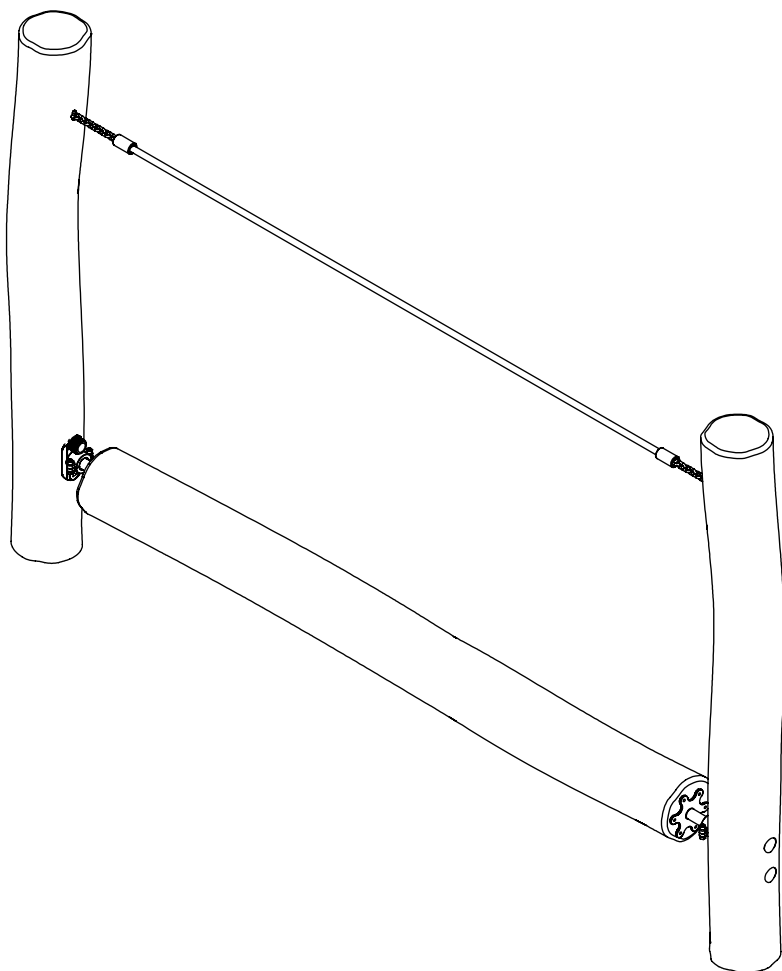
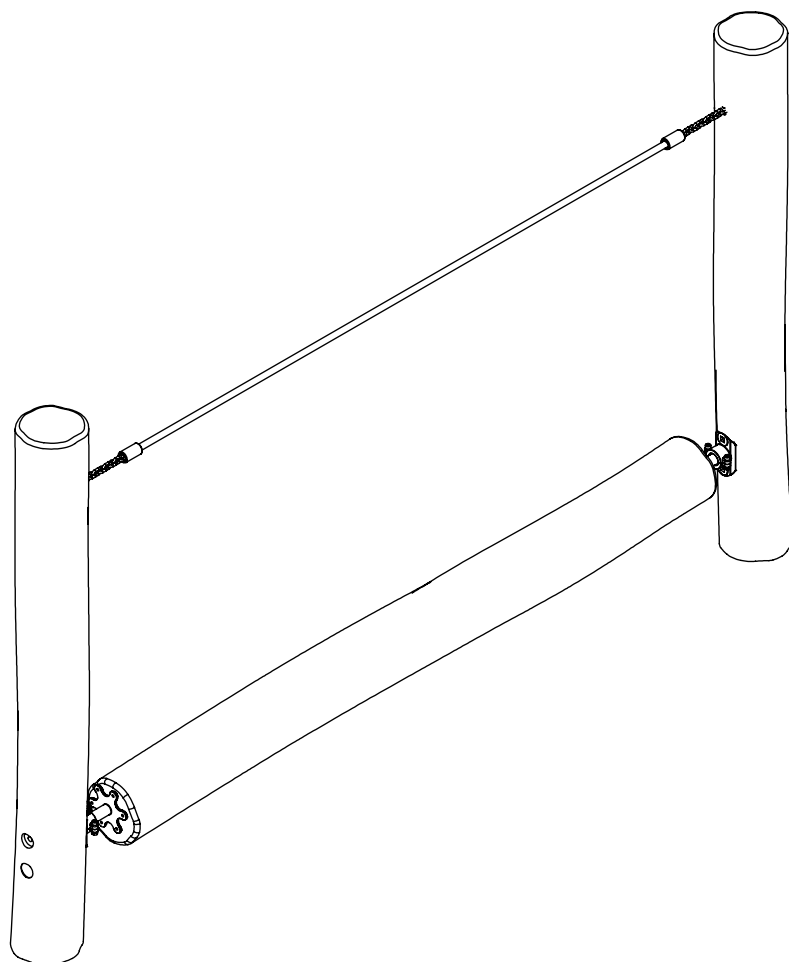
K25
x2
>0.06m²

<60
HIC



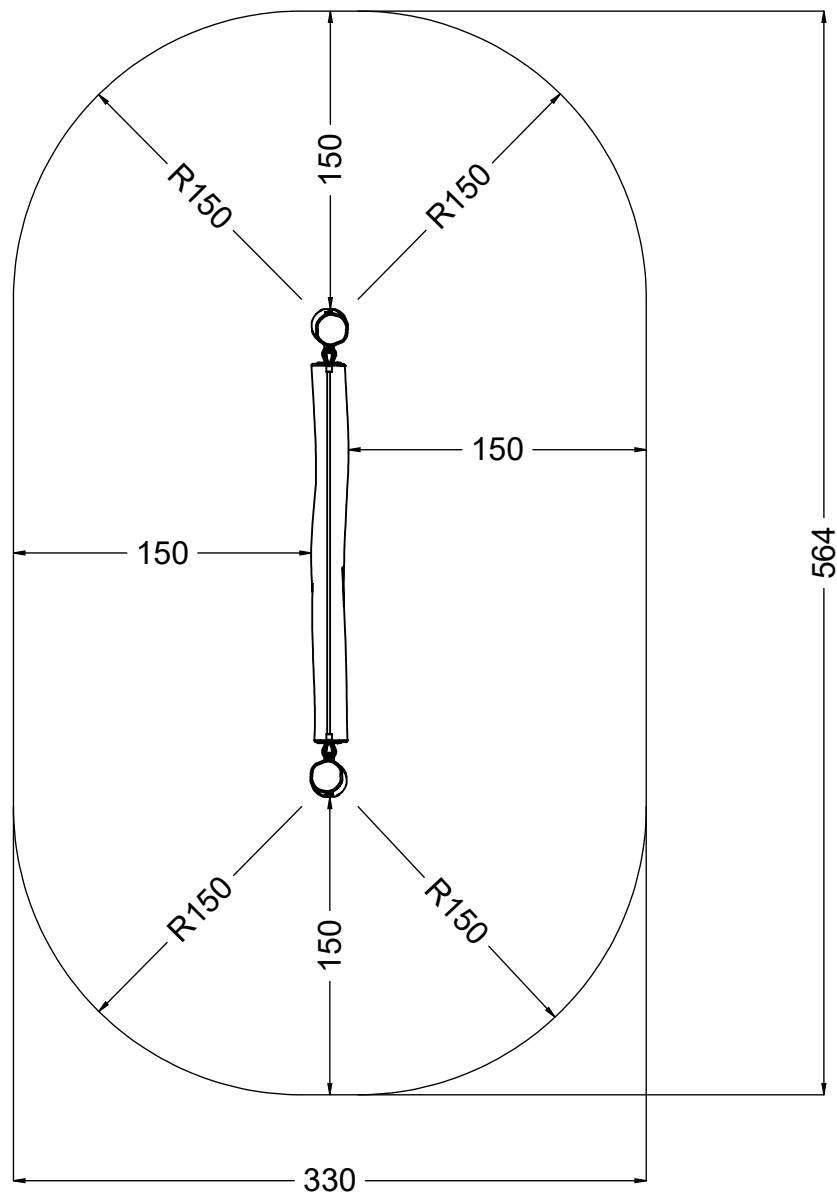
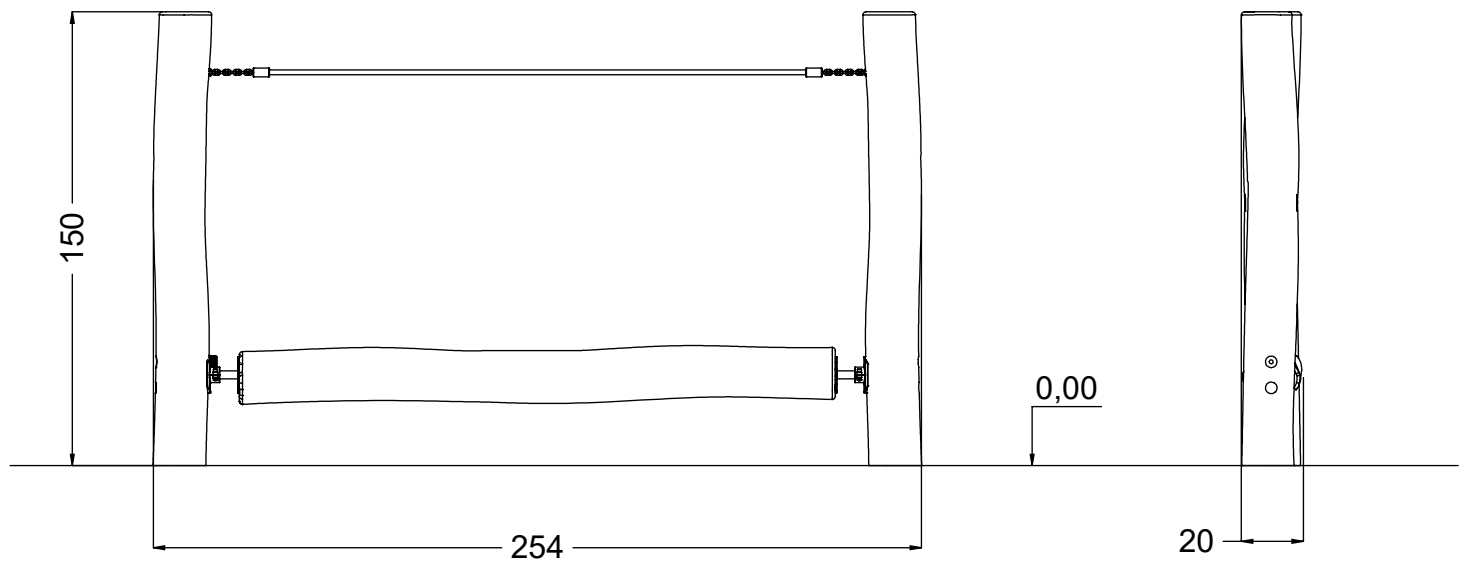
v011
19.02.2021
A. P.
[cm]

vinci
play



[cm]

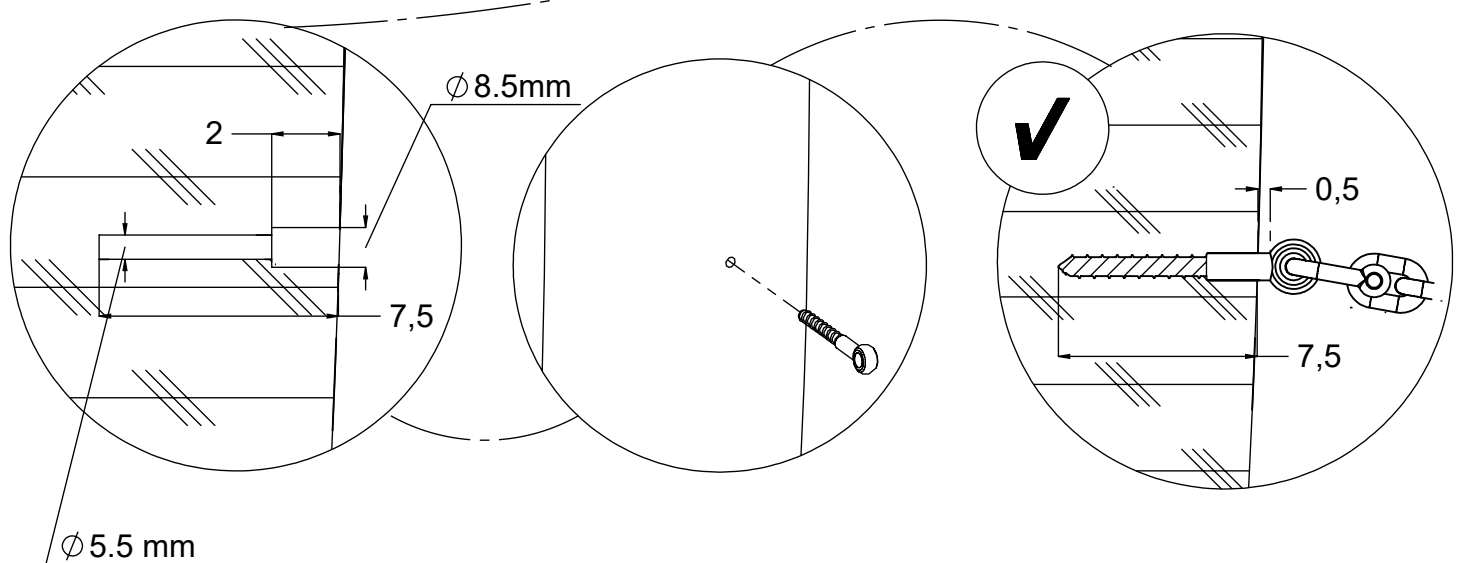
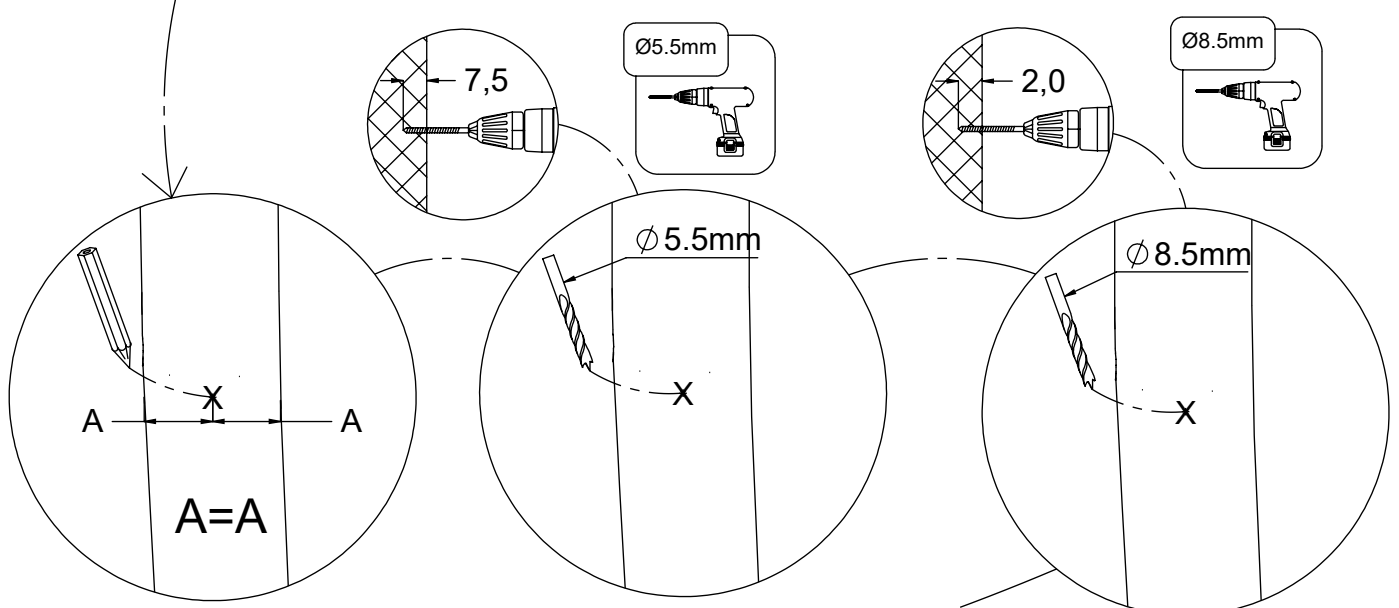
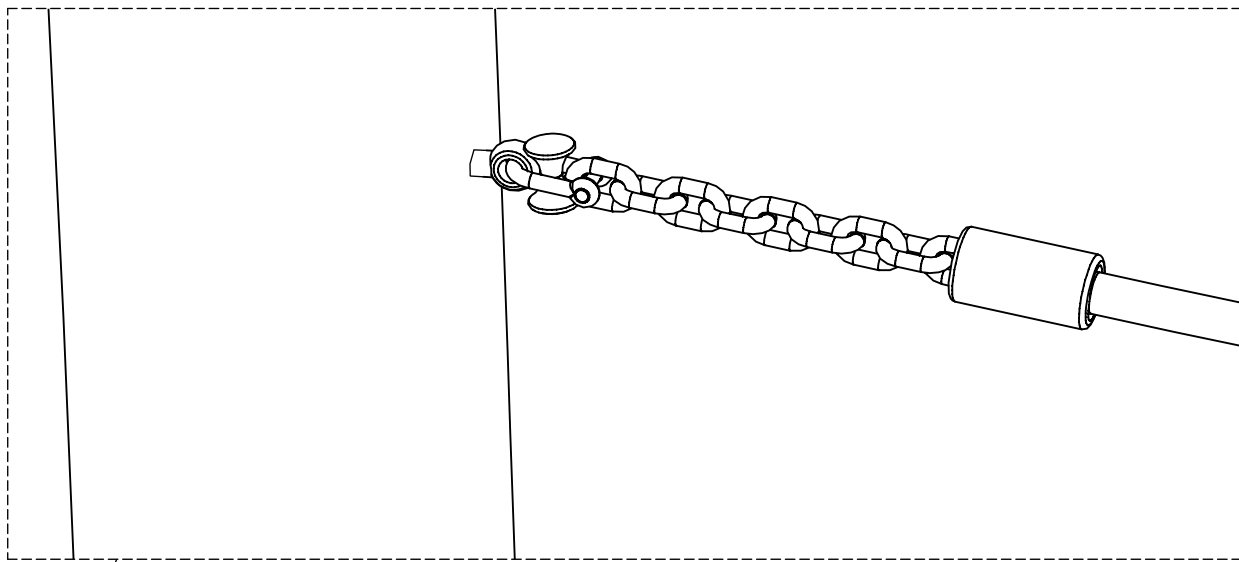
vinci
play



[cm]



vinci
play



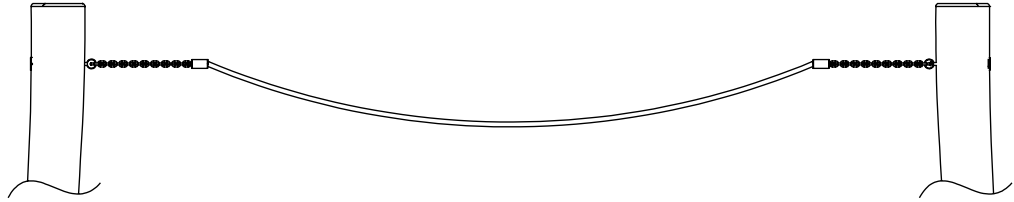
[cm]

vinci
play

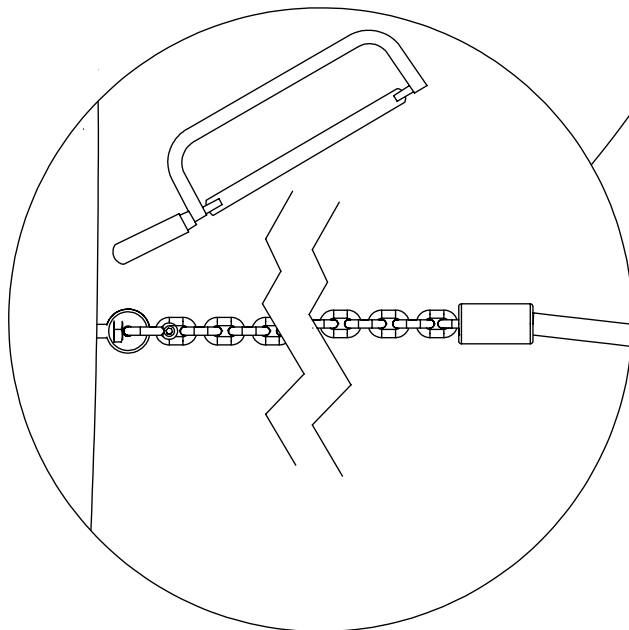
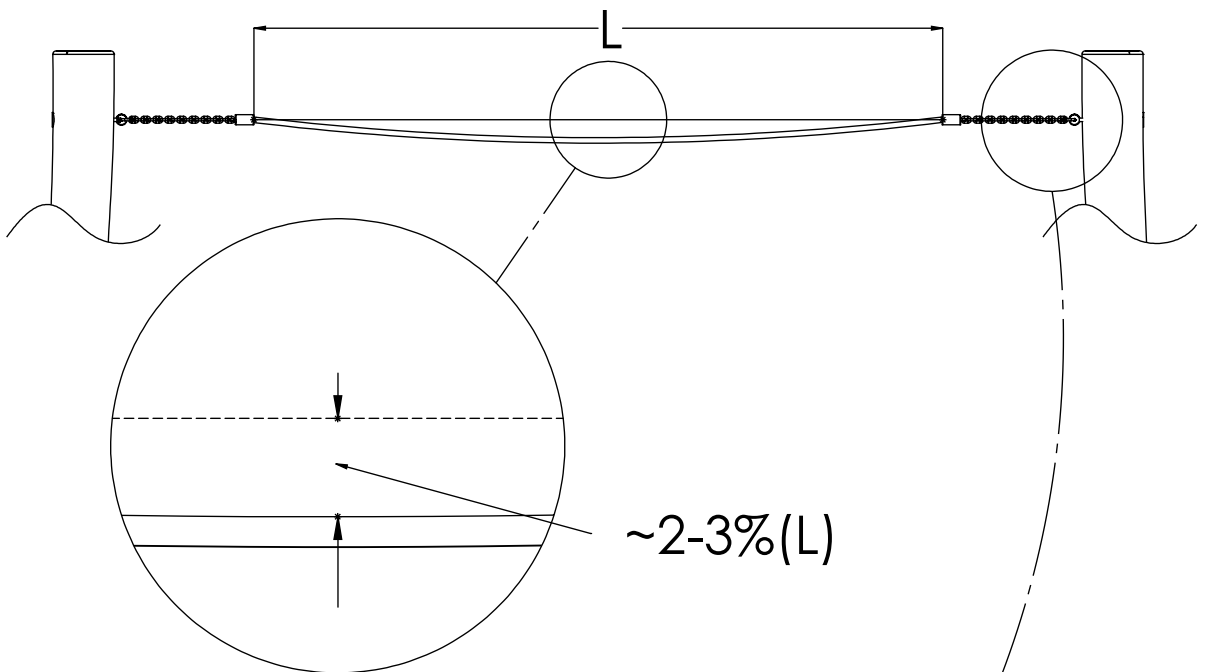
X

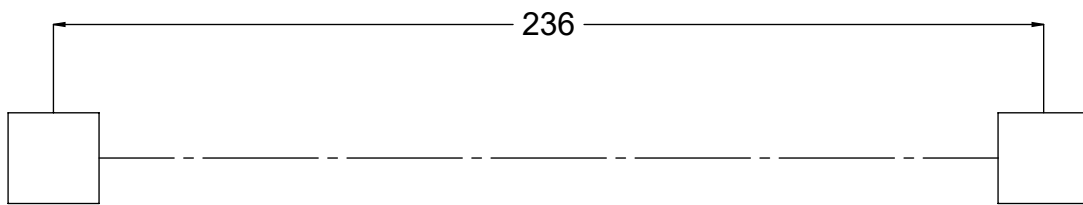
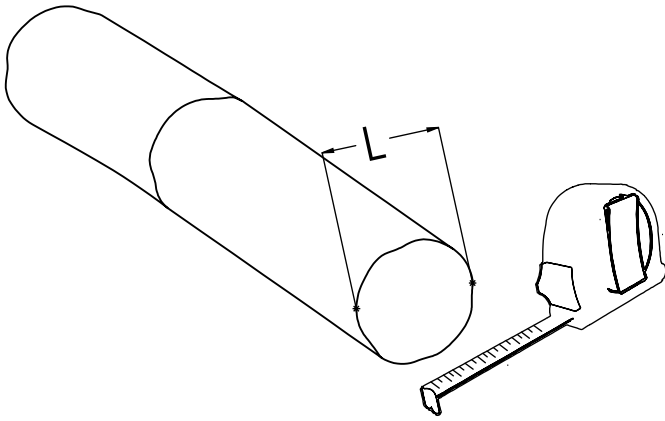
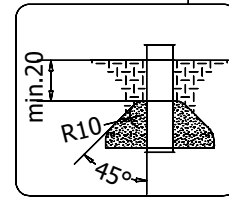
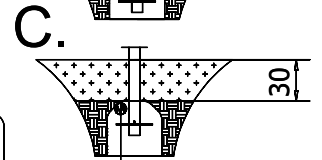
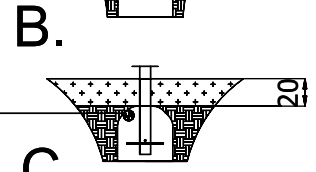
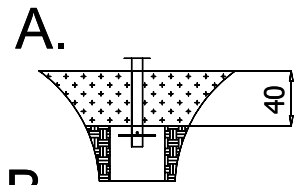
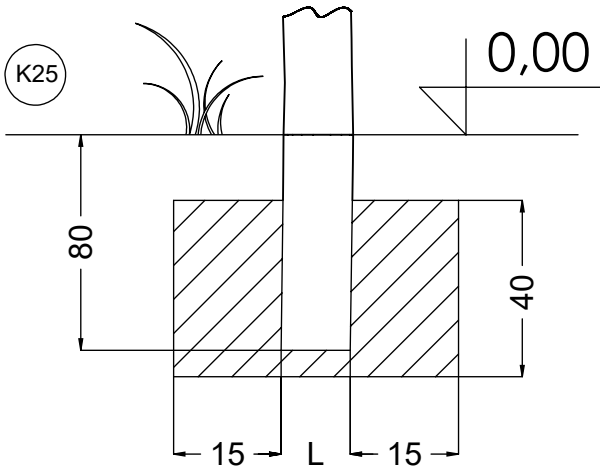


X



V





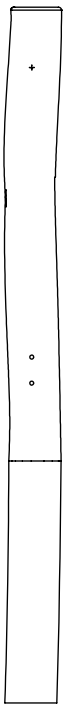
[cm]



1h



vinci
play



127376
x2



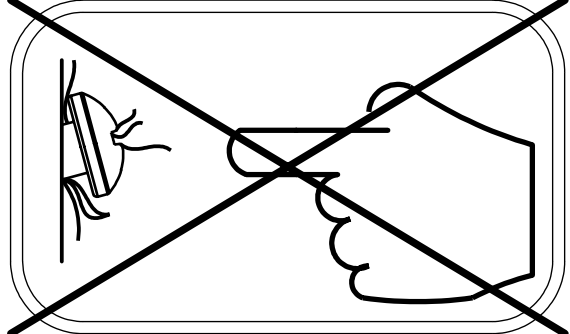
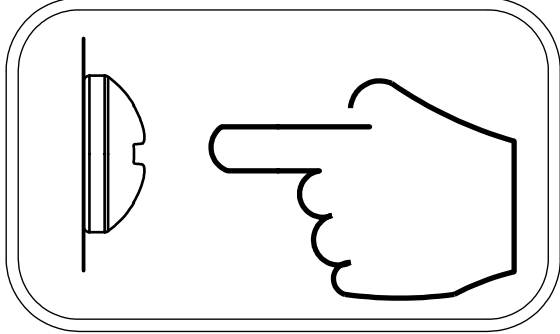
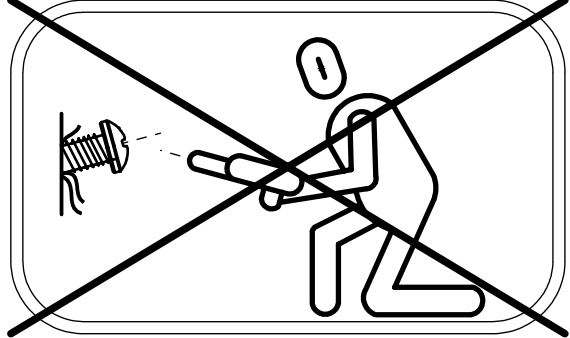
127377
x1



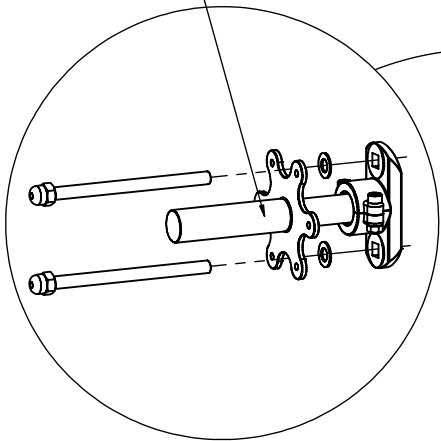
125125
x1

12x	5x80sxs

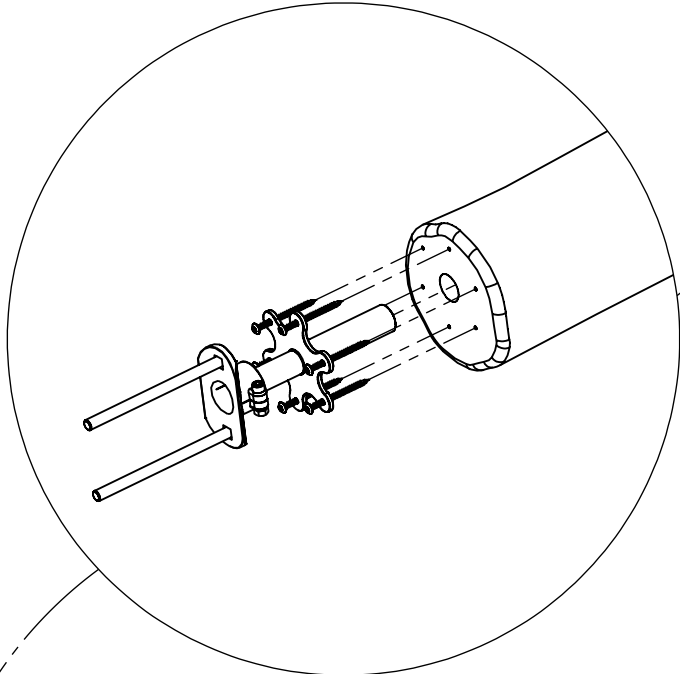
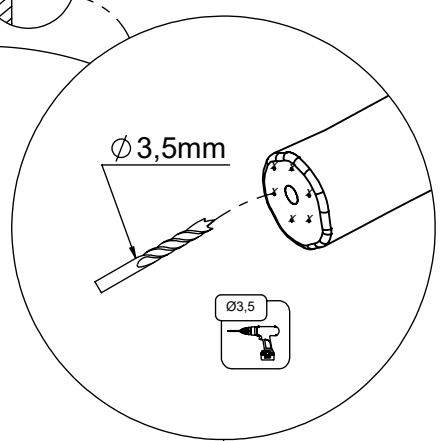
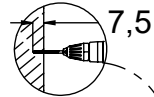
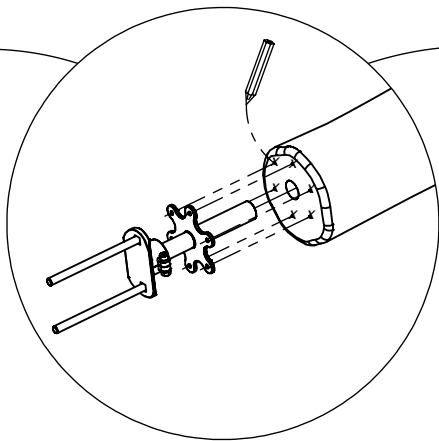
1x	12e009
1x	12e007
2x	126109
1x	V001



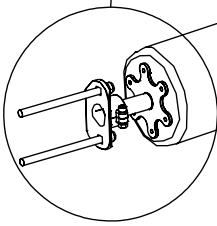
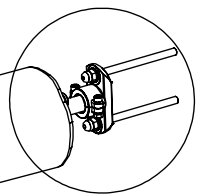
126109



1x 12e009

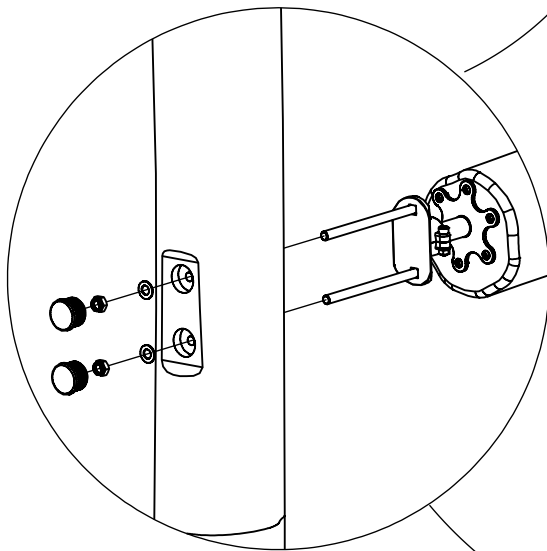
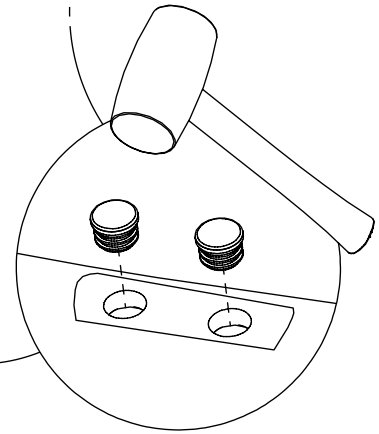
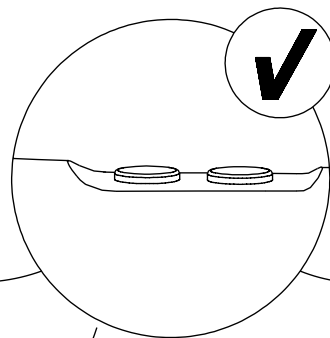
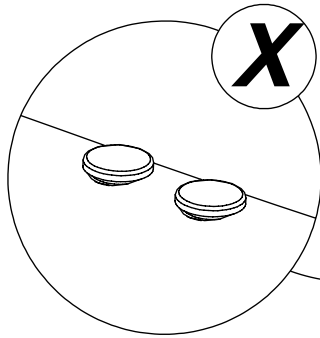
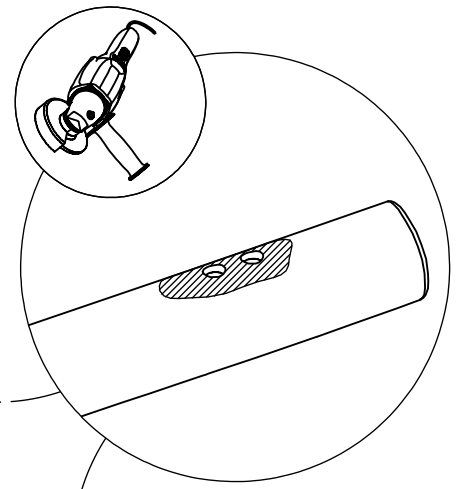
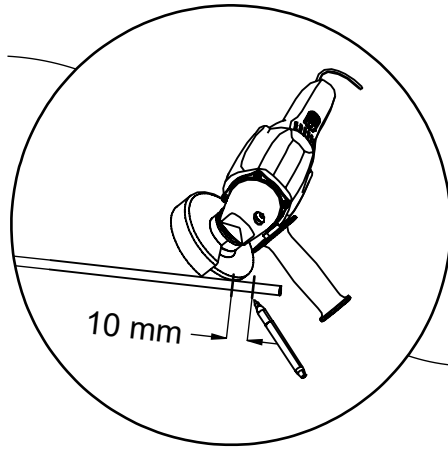
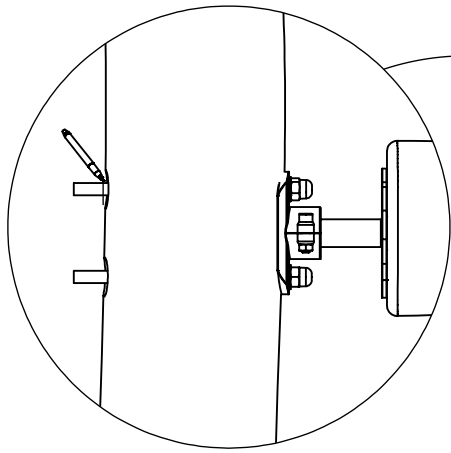


12x 5x80sxs

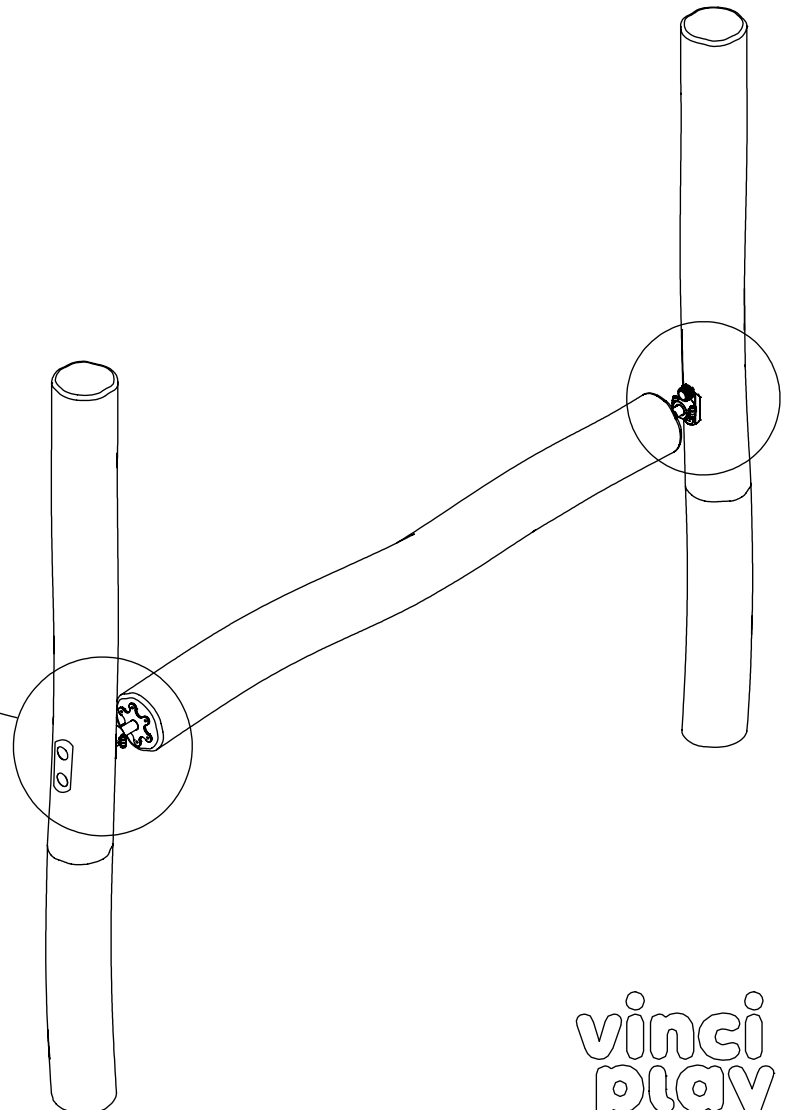


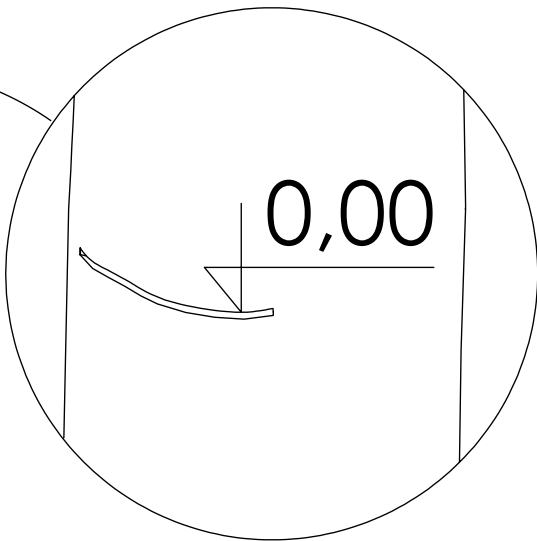
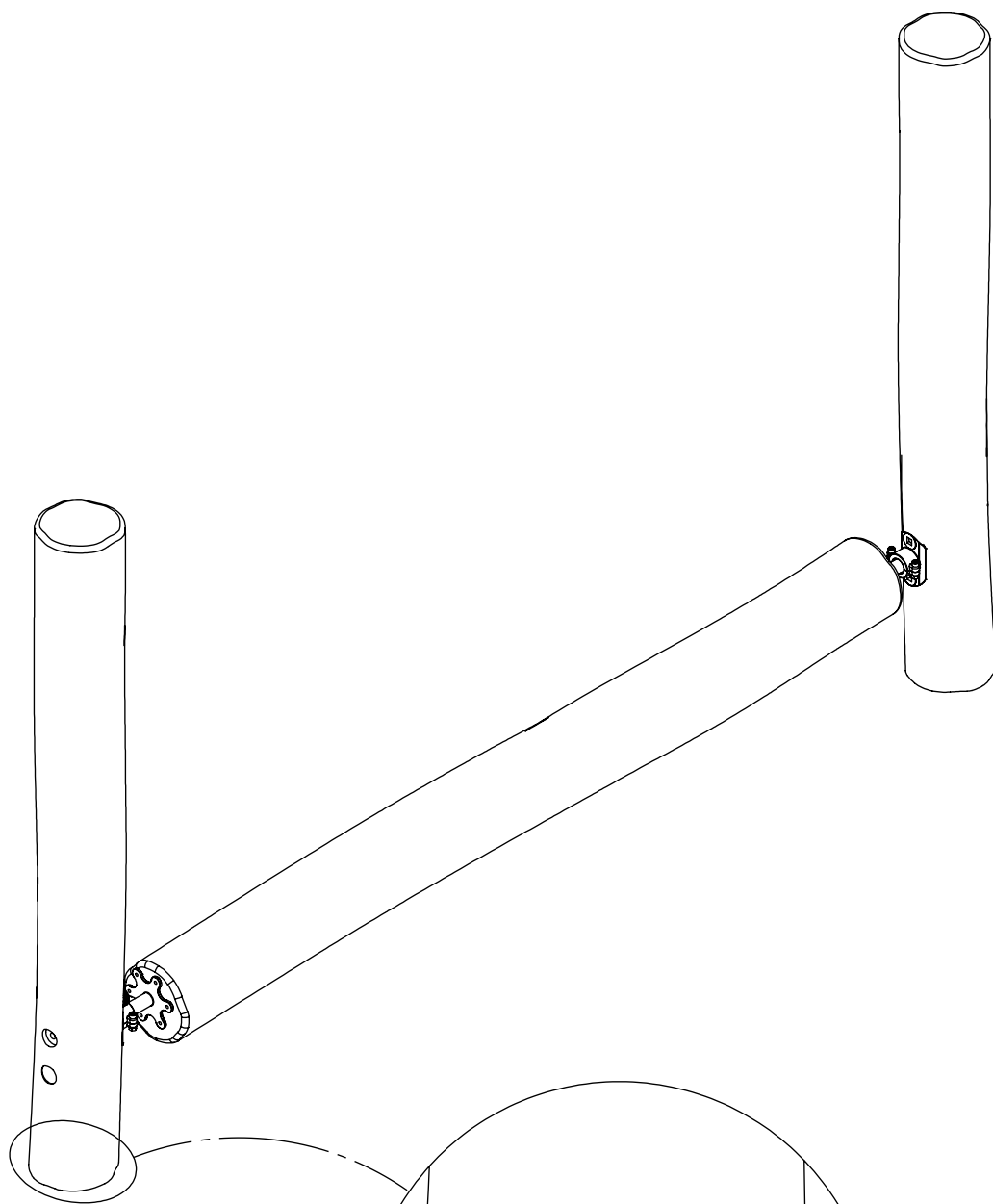
[cm]

vinci
play



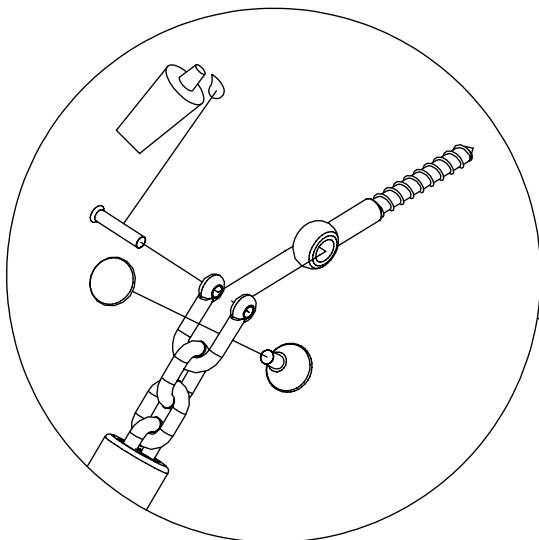
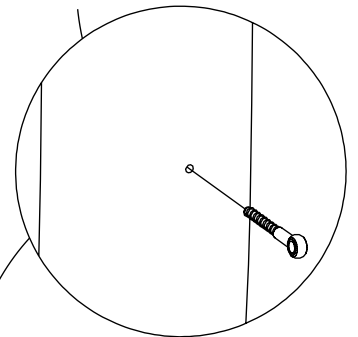
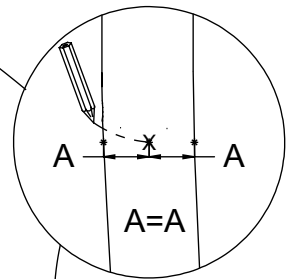
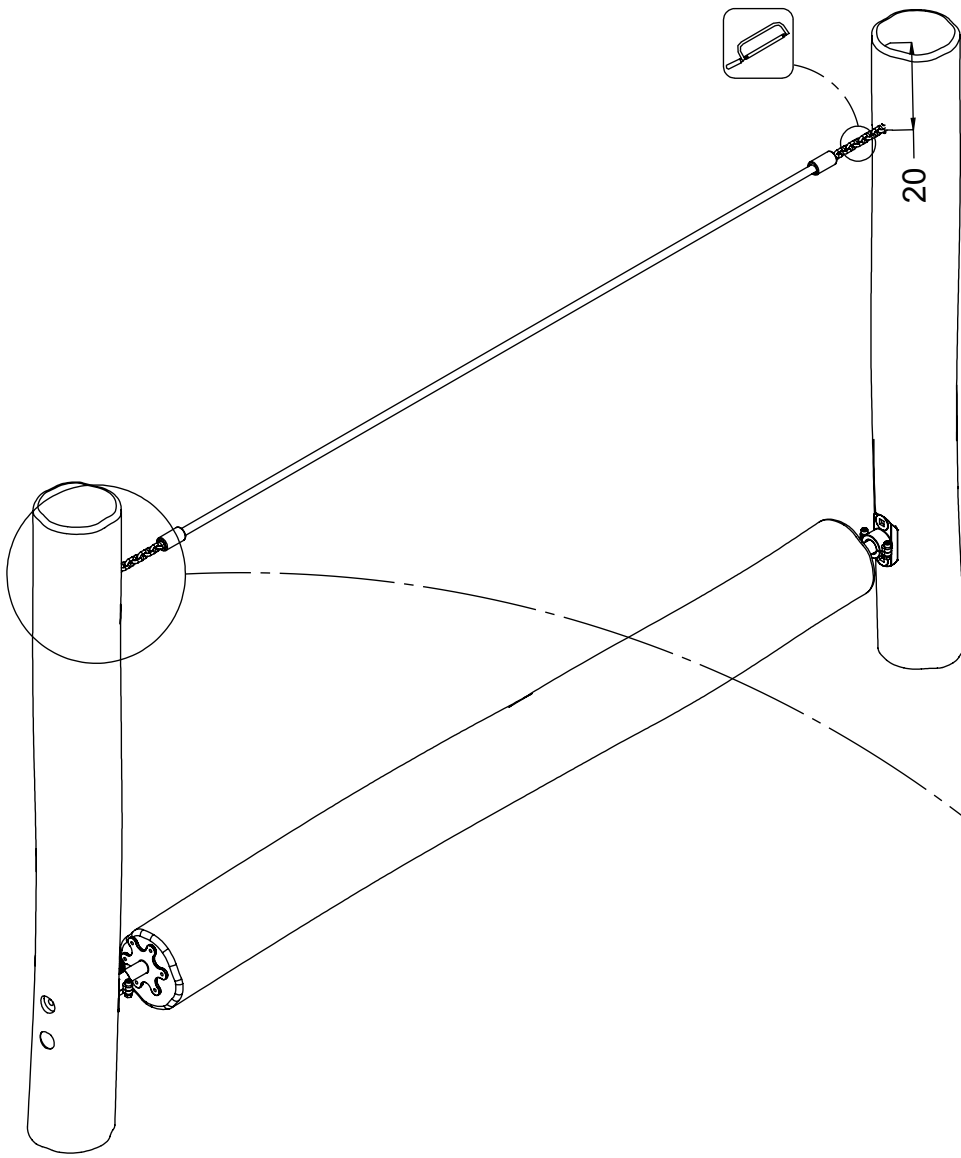
1x 12e009



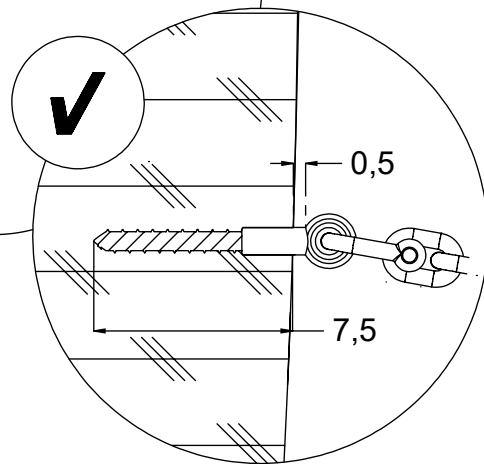


[cm]

vinci
play

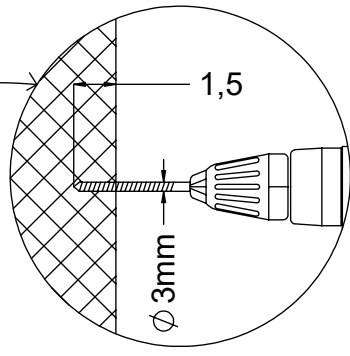
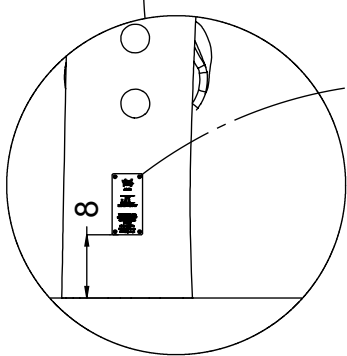
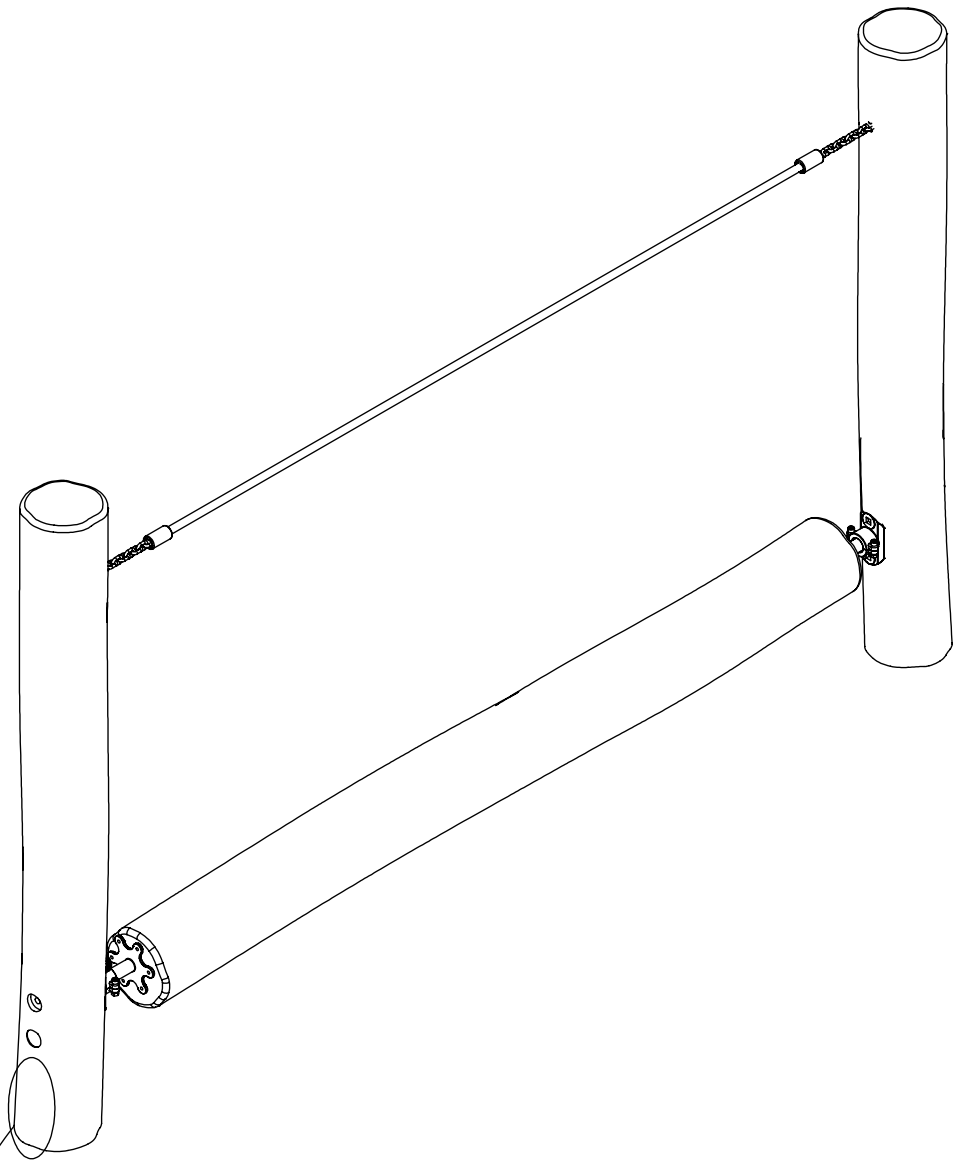


1x 12e007

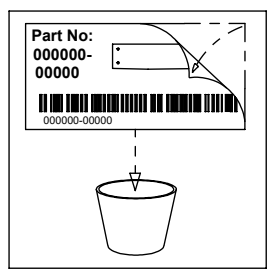


[cm]

vinci
play



V001



[cm]

vinci play