

Product technical sheet

ROBINIA RB1382



3+



14 kids



35,3 m²

Material specification

- Construction made of Robinia - very durable acacia wood with a diameter of ~ 18 cm without sharp edges, resistant to weather conditions,
- Hot-dip galvanized and stainless steel construction elements,
- Steel ropes in polypropylene braid, connected with durable aluminum, stainless steel and/or plastic elements,
- Stainless steel screws,



Physical development



community

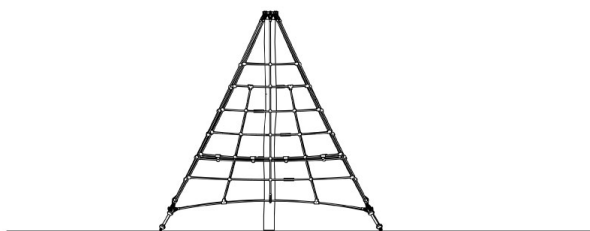
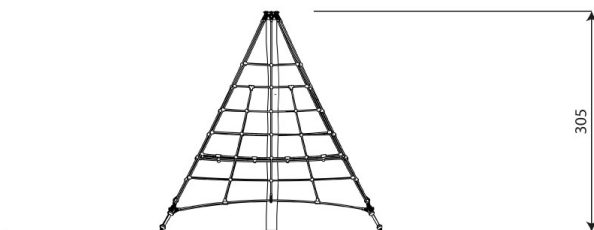
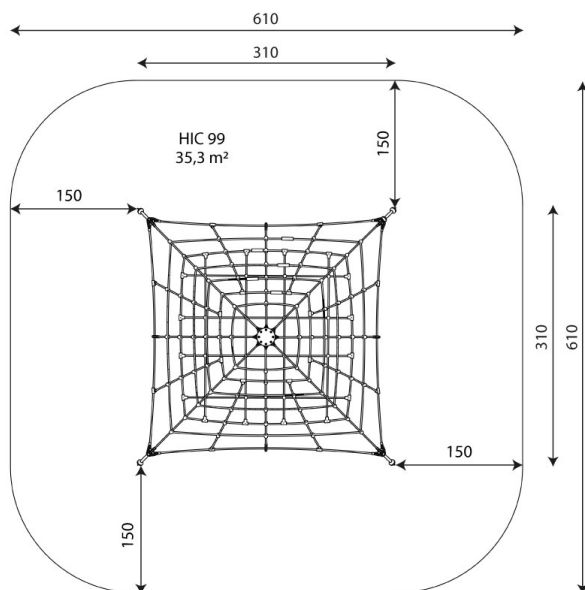


climbing





1
number of activity elements



Product technical sheet

ROBINIA RB1382

Product data

| | |
|--------------------------------|---------------------|
| Length | 310 cm |
| Width | 310 cm |
| Total height | 305 cm |
| Age group | 3+ years |
| Number of users | 14 kids |
| Safety zone | 35,3 m ² |
| Free fall height | 99 cm |
| In accordance with norm EN | 1176-1:2017 |
| Weight of the heaviest part | 88 kg |
| Dimensions of the largest part | 380x18x18 cm |
| Availability of spare parts | YES |
| Installation time | 2,5 h |

Data is subject to change without prior notice.

Additional information

- equipment intended for public playgrounds;
- equipment has a certificate issued by an accredited entity or a declaration of conformity;
- no sharp edges or chinks that would pose a danger of jimmie the head, fingers or any other body parts;
- anchoring on flat surface, 80/70 cm deep;
- render is for reference only, the actual appearance of the equipment and its color may vary;

Guarantee

30

30 year guarantee - Structural strength of steel and stainless steel components

15

15 year guarantee - Structural failure of steel and stainless steel, for dynamic equipment

10

10 year guarantee - Structural failure of high density polyethylene and high pressure laminates components

5

5 year guarantee - Corrosion of stainless steel and hot dip galvanized and powder coated components; against bark beetles and rot in case of wooden structural elements

Detailed information in the guarantee card



Surfaces according to EN 1176-1:2017

| | Description (mm) | Layer thickness (cm) | Maximum fall heights (cm) |
|---------------------------------|------------------------------|----------------------|---------------------------|
| Turf/ top layer of soil (A,B,C) | - | - | ≤100 |
| bark (A,C) | Particle size from 20 to 80 | 30 | ≤200 |
| | | 40 | ≤300 |
| woodchips (A,C) | Particle size from 5 to 30 | 30 | ≤200 |
| | | 40 | ≤300 |
| sand or gravel (A,C) | Particle size from 0,25 to 8 | 30 | ≤200 |
| | | 40 | ≤300 |
| synthetic attested (A,B,C) | Tested according to EN 1177 | | 99 |

Product technical sheet

ROBINIA RB1382

Amount of safe surface corresponding with free fall height:

HIC 99 35,3 m²

Data is subject to change without prior notice.

