

# RECYCLED RC1492



1-3/3-14



8 kids



31,8 m<sup>2</sup>

R1



R2



R3



R5



R16



## Material specification

- The structure is made of a durable, moisture-resistant and low-temperature recycled composite,
- Hot-dip galvanized and powder coated or powder galvanized and powder coated or stainless steel construction elements,
- The covers are made of recycled HDPE panel, resistant to weather conditions
- Attested, safe seats,
- Calibrated stainless steel chains, preventing fingers entrapment,
- Stainless steel swing fittings,
- Stainless steel screws and/or screws covered with plastic caps,



**Facilitating disability**



easy access



integration



**Physical development**

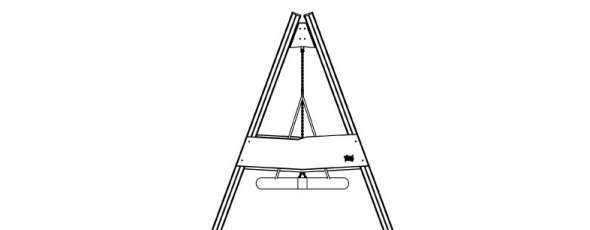
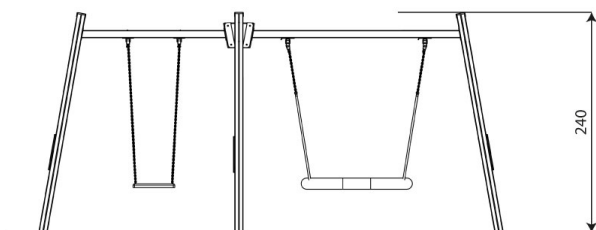
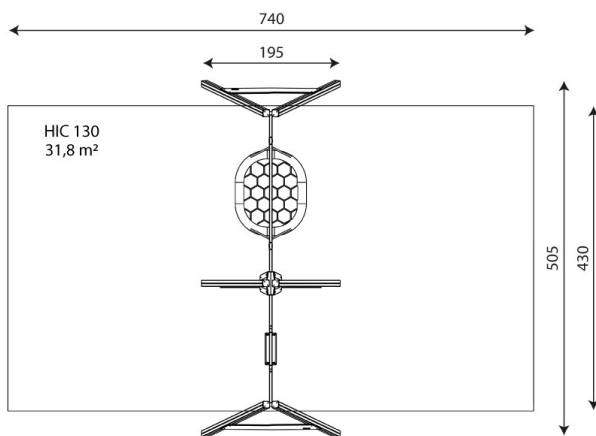


rest



rocking





**Product technical sheet**

**RECYCLED RC1492**

**Product data**

Length	195 cm
Width	505 cm
Total height	240 cm
Age group	1-3/3-14 years
Number of users	8 kids
Safety zone	31,8 m2
Free fall height	130 cm
In accordance with norm EN	1176-1:2017+A1:2023
Weight of the heaviest part	15 kg
Dimensions of the largest part	300x9x9 cm
Availability of spare parts	YES
Installation time	2 h

Data is subject to change without prior notice.

**Additional information**

- equipment adapted for the disabled; intended for public playgrounds;
- equipment has a certificate issued by an accredited entity or a declaration of conformity;
- available types of seats in the swing: R1-flat, R2-basket, R3-flat belt, R5-flat with barrier;
- no sharp edges or chinks that would pose a danger of jamming the head, fingers or any other body parts;
- anchoring on flat surface, 80/70/60 cm deep;
- render is for reference only, the actual appearance of the equipment and its color may vary;

**Guarantee**

**30** 30 year guarantee - Structural strength of steel and stainless steel components

**15** 15 year guarantee - Structural failure of steel and stainless steel, for dynamic equipment

**10** 10 year guarantee - Structural failure of high density polyethylene and high pressure laminates components

**5** 5 year guarantee - Corrosion of stainless steel and hot dip galvanized and powder coated components; against bark beetles and rot in case of wooden structural elements

Detailed information in the guarantee card



## Surfaces according to EN 1176-1:2017+A1:2023

	Description (mm)	Layer thickness (cm)	Maximum fall heights (cm)
Turf/ top layer of soil (A,B,C)	-	-	≤100
bark (A,C)	Particle size from 20 to 80	30	≤200
		40	≤300
woodchips (A,C)	Particle size from 5 to 30	30	≤200
		40	≤300
sand or gravel (A,C)	Particle size from 0,25 to 8	30	≤200
		40	≤300
synthetic attested (A,B,C)	Tested according to EN 1177		130

## Product technical sheet

# RECYCLED RC1492

### Amount of safe surface corresponding with free fall height:

HIC 130 31,8 m<sup>2</sup>

Data is subject to change without prior notice.

