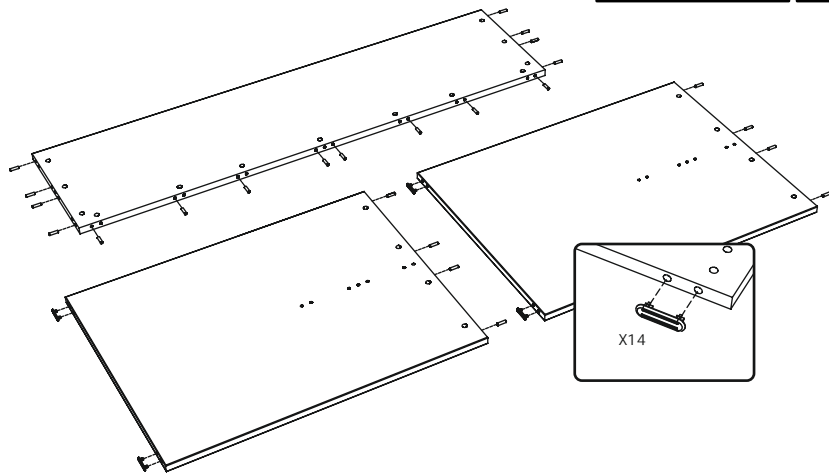
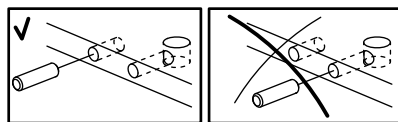


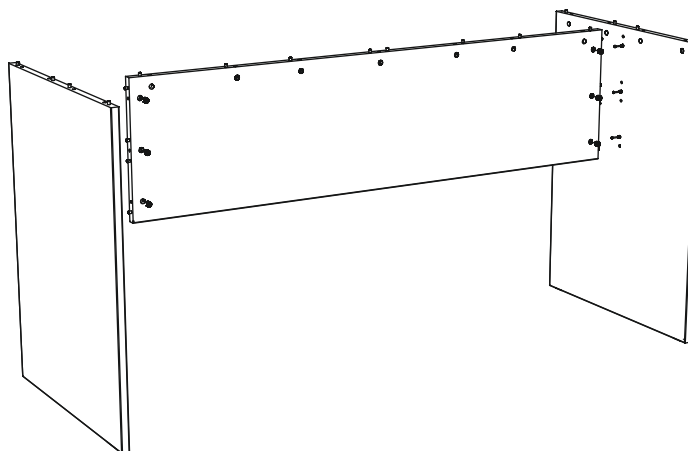
BARTABLE step-by-step mounting

!!! To protect from damages have a carpet or cardboard underneath

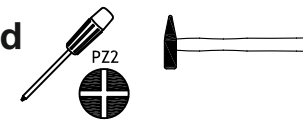
Step 1:
Insert fluted dowels "B2",
and hit feet "X14" in side panels



Step 3:
Connect sides with back wall,
lock all cam locks "D29"

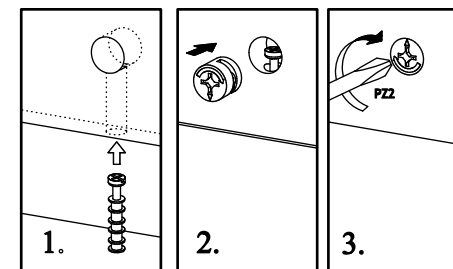
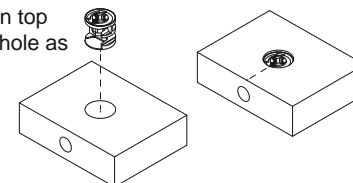


Tools needed

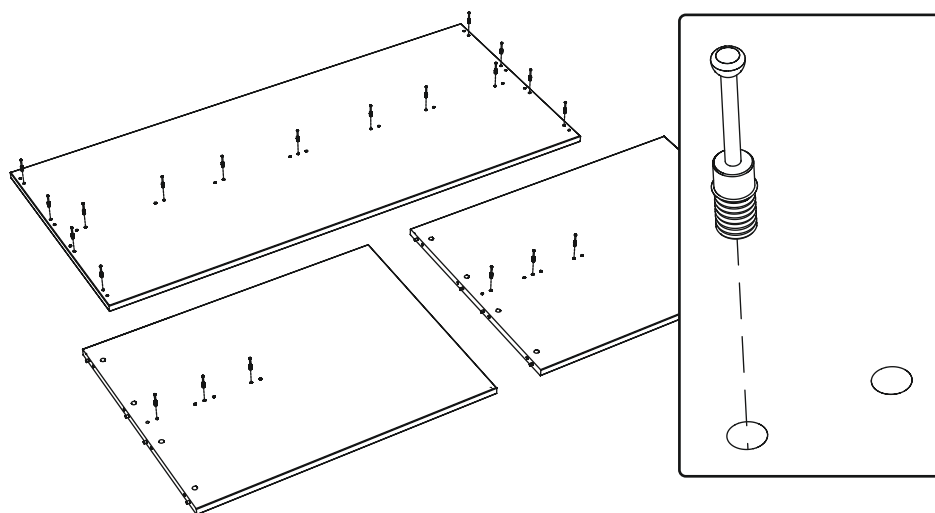


TIP*

locks (D29) align top
arrow to facing hole as
shown.



Step 2:
Insert cum lock screws "C23"



Step 4:
Connect sides, back wall with top,
lock all cam locks "D29"

